

**NEMO**

**Nemo Lighting Projecteur 365  
Floor Lamp**

LA10107/F

SOURCE: <https://www.davidvillagelighting.co.uk/product/Nemo-Lighting-Projecteur-365-Floor-Lamp/20347>



**PRODUCT DESCRIPTION**

**Designer:** Le Corbusier

**Projecteur 365 Floor Light by Nemo Lighting**

Designed for the High Court in Chandigarh, India the Projecteur 365 Floor Lamp by Le Corbusier has been reissued by Nemo Lighting. Winning a Wallpaper\* Design Award for Best Reissues in 2013, the design was unreleased until 2012 and now, thanks to Nemo, can be purchased to put in your home or commercial space.

With a diffused light and the ability to move 90°, this light is perfect for both creating a warm, cosy atmosphere and as a display spotlight, showcasing a mural or your favourite bookshelf. The light is dimmable, when using a dimmable bulb, and can also be coordinated with other varieties of [165/365 Projecteur lights](#) to create a consistent lighting design throughout the room.

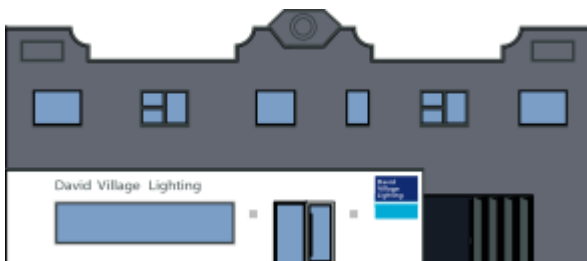
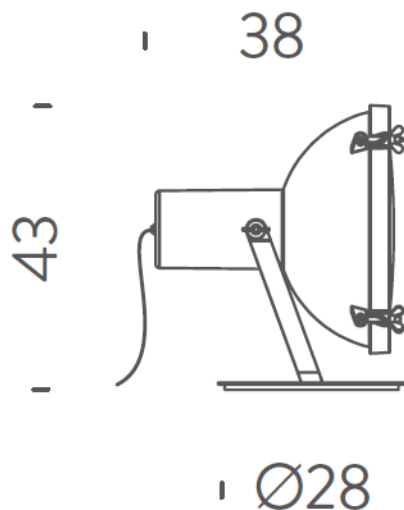
**PRODUCT SPECIFICATION**

**Light Source:** 1 x E27 150W max (excluded)

**IP Code:** 30

**Dimming:** In line dimmer included on cable

**Dimensions:** 43 cm height  
38 cm depth  
Ø28 cm base  
2.9m cable length



**For all sales and technical enquiries, please contact:**

+44 (0)114 263 4266

[info@davidvillagelighting.co.uk](mailto:info@davidvillagelighting.co.uk)

[www.davidvillagelighting.co.uk](http://www.davidvillagelighting.co.uk)