

**NEMO**

**Nemo Lighting Spigolo LED  
Floor Lamp**

LA10092/F

SOURCE: <https://www.davidvillagelighting.co.uk/product/Nemo-Lighting-Spigolo-LED-Floor-Lamp/20337>



**PRODUCT DESCRIPTION**

**Designer:** Studiocharlie

**Spigolo Floor Lamp by Nemo  
Lighting**

A minimalist design, the Spigolo floor lamp provides a divider in space to ambiances. The Floor is made with extruded aluminium that consist the main structure, which are connected with ABS joints. An opaline diffuser completes the Spigolo lights. Spigolo is available in a white or black finish and you can select a colour temperature, between 2700K and 3000K.

While functioning as a divider, the floor lamp's joints allow for the structure to house a triple LED integrated light source and part of the structure can rotate up to 360° allowing you to have direct or indirect, directional light.

Studiocharlie, the designer team behind the Spigolo, consider the collection as architecture itself. The Spigolo becomes part of the rooms design and offer new interpretations of the space.

The collection is complimented by two pendant lights(a vertical and a horizontal), a table lamp and a wall/ceiling light.

**PRODUCT SPECIFICATION**

**Light Source:** 33 + 10 + 6W, 2700K/3000K, 335+600+1765 lumens

**IP Code:** 20

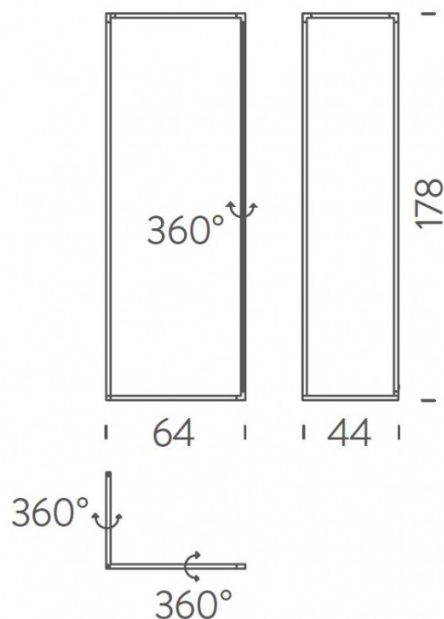
**Dimming:** In line dimmer included on cable.

**Dimensions:** 178 cm height

64 cm width

44 cm depth

4.5m cable length





**For all sales and technical enquiries, please contact:**

+44 (0)114 263 4266

[info@davidvillagelighting.co.uk](mailto:info@davidvillagelighting.co.uk)

[www.davidvillagelighting.co.uk](http://www.davidvillagelighting.co.uk)