

NEMO

LA10088/MAJ

Nemo Lighting Ellisse Pendant Major LED

SOURCE: <https://www.davidvillagelighting.co.uk/product/Nemo-Lighting-Ellisse-Pendant-Major-LED/20330>



PRODUCT DESCRIPTION

Designer: Federico Palazzari

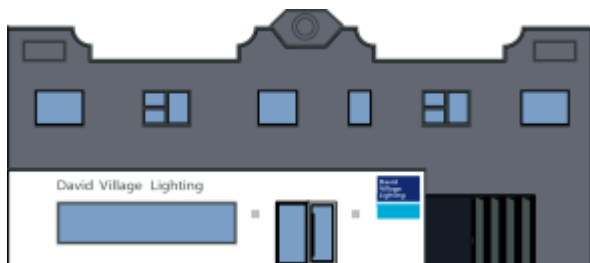
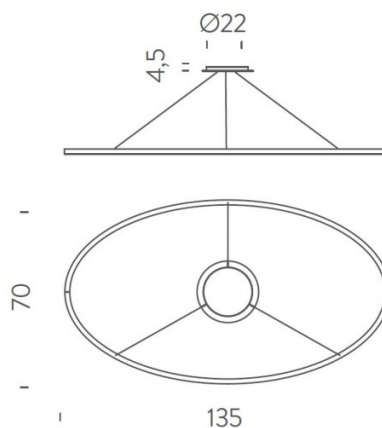
Nemo Lighting Ellisse Major LED Pendant

The Ellisse Major was designed by Federico Palazzari for Nemo Lighting. The large pendant suspends from a 2.5 metre cable, with an adjustable length of 0.4m. Ellisse Minor is available as an uplight or downlight, you can select colour temperature (2700K or 3000K) and there is a choice of 4 finishes. The pendant comes in a matt white, matt black, gold painted or polished aluminium, the 2700K version is also available in a gold polished anodised finish as well.

The Ellisse collection includes numerous pendant lights, the Major is only one of them; there is also a smaller version, the Ellisse Minor, the Ellisse Double with an Ellisse Minor and Major, the largest version, Ellisse Mega and finally a triple arrangement, Ellisse Triple with two minors and one major pendant.

PRODUCT SPECIFICATION

- Light** 69W, 2700K/3000K, 3450 lumens
- Source:**
- IP Code:** 20
- Dimming:** Dimmable via 1-10V dimming systems. Please consult your electrician, additional wiring may be required on site.
- Dimensions:** 135 cm length
70 cm width
Ø 22 cm x 4.5 cm height ceiling rose
Drop Cable: 40cm - 250cm



For all sales and technical enquiries, please contact:

+44 (0)114 263 4266

info@davidvillagelighting.co.uk

www.davidvillagelighting.co.uk