

NEMO

LA10088/MIN

Nemo Lighting Ellisse Pendant Minor LED

SOURCE: <https://www.davidvillagelighting.co.uk/product/Nemo-Lighting-Ellisse-Pendant-Minor-LED/20329>



PRODUCT DESCRIPTION

Designer: Federico Palazzari

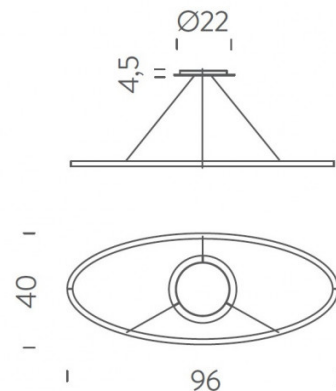
Nemo Lighting Ellisse Pendant Minor LED

A stunning suspension light, the work of Federico Palazzari, the Ellisse Minor is the smallest within the Ellisse family. The Ellisse Minor is available as either a downlight or uplight and you can further select colour temperature (2700K or 3000K). Ellisse is available in white, black, gold painted, and polished aluminium. The 2700K version is also available in gold polished anodised finish. The suspension is manufactured through Nemo Lighting's exclusive technology in order for the extruded bars to be combined.

A beautiful ring suspension light, you can unevenly hang the Ellisse just to add to its intriguing character. Ellisse Minor comes with a 2.5 metres cable allowing you to install it in spaces with any ceiling heights.

PRODUCT SPECIFICATION

- Light Source:** 50W, 2700K/3000K, 2250 lumens
- IP Code:** 20
- Dimming:** Dimmable via 1-10V dimming systems. Please consult your electrician, additional wiring may be required on site.
- Dimensions:** 96 cm length
40 cm width
Ø 22 cm x 4.5 cm height ceiling rose
2.5 m cable length
Drop Cable: 40cm - 250cm



For all sales and technical enquiries, please contact:

+44 (0)114 263 4266

info@davidvillagelighting.co.uk

www.davidvillagelighting.co.uk