

Artemide

Artemide Alphabet of Light  
Circular LED Suspension

LA5925/C

SOURCE: <https://www.davidvillagelighting.co.uk/product/Artemide-Alphabet-of-Light-Circular-LED-Suspension/19909>



PRODUCT DESCRIPTION

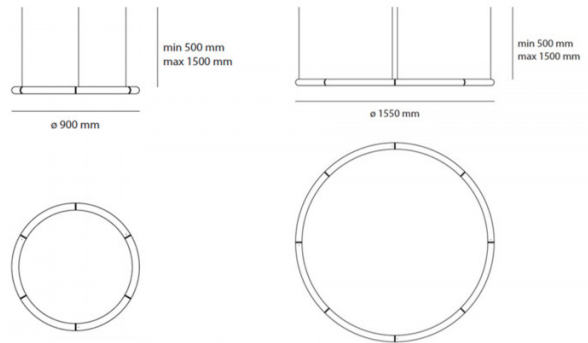
Designer: BIG

Alphabet of Light Circular by Artemide

The Circular collection, comprised by a ring of white methacrylate in two sizes. The two suspension lights can be installed on their own, or combined together as well as with lights from the Linear line. The purpose of the Alphabet of Light is to allow the user to create their own shapes, in the form of geometric shapes, while providing innovative and comfortable lighting in space.

PRODUCT SPECIFICATION

- Light** 155 - 91W, 3000K, 10739 lumens
- Source:** 90 - 55W, 3000K, 6041 lumens
- IP Code:** 20
- Dimming:** Dimmable via Push/Dali dimming systems. Please consult your electrician, additional wiring may be required on site.
- Dimensions:** 155 - Ø 155 cm x 5 cm  
90 - Ø 90 cm x 5 cm
- 0.5-1.5m cord length



For all sales and technical enquiries, please contact:

+44 (0)114 263 4266

info@davidvillagelighting.co.uk

www.davidvillagelighting.co.uk