

FRITZ HANSEN

Fritz Hansen Cross-Plex Table Lamp

LA5883

SOURCE: <https://www.davidvillagelighting.co.uk/product/Fritz-Hansen-Cross-Plex-Table-Lamp/19839>



PRODUCT DESCRIPTION

Designer: Bodil Kjær

Cross-Plex Table Lamp by Fritz Hansen

The Cross-Plex table lamp was originally designed in 1961 by Bodil Kjaer. Still a current and contemporary design that has stood the test of time, this table lamp is characterised by its clean, straight lines which are the epitome of Kjaer's design aesthetic. The base of the lamp is made from clear acrylic formed in the shape of a cross and the shade is made from opal acrylic in the shape of a cuboid.

The Cross-Plex table light is modern looking due to its angular and sharp lines and the exposed cable that can be seen in the base. The lampshade diffuses the light nicely, producing a soft glow that has an all-round illumination. The light also escapes from the open top to create an upward light. This table light is available in 2 sizes, the shorter T-300 and the taller T-500 so you can find the right look for your needs and space. This lamp is so versatile that it will look good in many interiors in both home and commercial settings.

PRODUCT SPECIFICATION

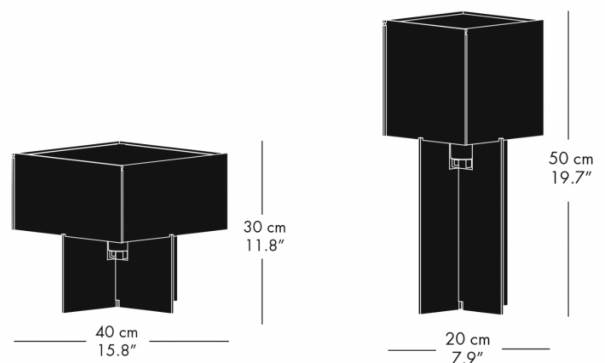
Light Source: 1 x Max 70W E27 (excluded)

IP Code: 20

Dimensions: T-300:
Width: 40cm
Height: 30cm

T-500:
Width: 20cm
Height: 50cm

Cable Length: 3m





For all sales and technical enquiries, please contact:

+44 (0)114 263 4266

info@davidvillagelighting.co.uk

www.davidvillagelighting.co.uk