

marset

Marset Copernica M LED Table Lamp

LA5872

SOURCE: <https://www.davidvillagelighting.co.uk/product/Marset-Copernica-M-LED-Table-Lamp/19826>



PRODUCT DESCRIPTION

Designer: Ramírez i Carrillo

Marset Copernica M LED Table Lamp

Copernica was designed by Ramírez i Carrillo in 2017 for Marset Barcelona. Appearing weightless, floating without friction or resistance. Copernica is an impressive display of physics and mathematics that creates a counterweight system that can be gently maneuvered by the lightest touch. With the use of simplistic shapes circles, semicircles, tubes, and bars of different diameters, Marset has created a stylish geometric sculpture of light.

The [Marset Copernica collection](#) comprises of a table lamp and two floor lamp options, making it easier than ever to find a lamp to suit your needs. The Copernica table lamp is ideal for tasks because of the directional arm and light source. The design lends itself to both domestic and commercial spaces.

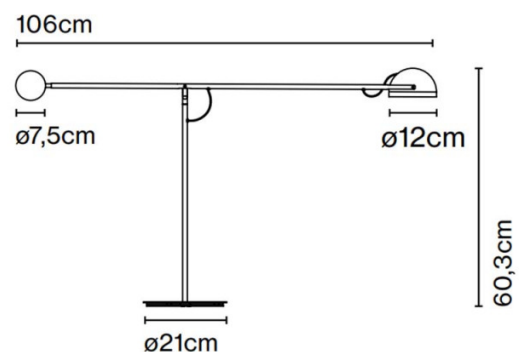
PRODUCT SPECIFICATION

Light Source: 4.7W, 2700K, 491 Lumens

IP Code: 20

Dimming: Integrated dimmer on the product.

Dimensions: Base: Ø21cm
Arm Length: 106cm
Height: 60.3cm
Shade: Ø12cm
Counterweight: Ø7.5cm
Cable Length: 200cm



For all sales and technical enquiries, please contact:

+44 (0)114 263 4266

info@davidvillagelighting.co.uk

www.davidvillagelighting.co.uk