

marset

Marset Copernica P LED Floor Lamp

LA5871

SOURCE: <https://www.davidvillagelighting.co.uk/product/Marset-Copernica-P-LED-Floor-Lamp/19825>



PRODUCT DESCRIPTION

Designer: Ramírez i Carrillo

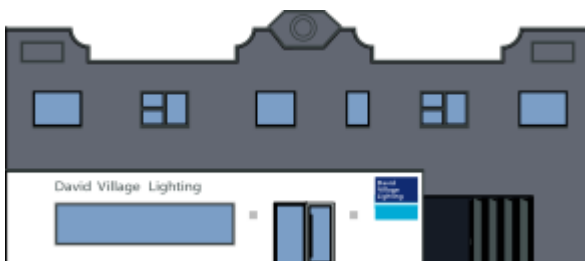
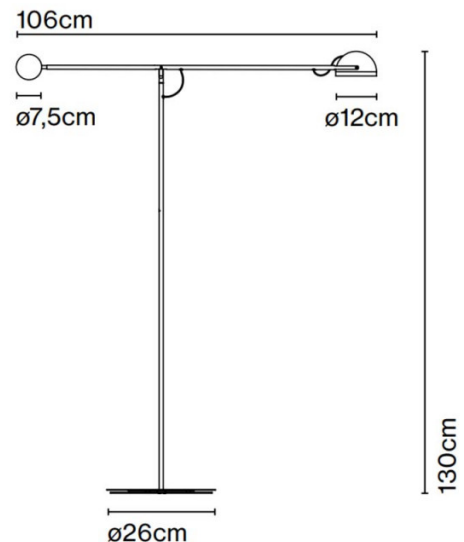
Marset Copernica P Floor Lamp

Ramírez i Carrillo designed the Copernica collection in 2017 for Marset Barcelona. Giving the impression of weightlessness, floating without resistance. Copernica is an impressive presentation of physics and mathematics coming together to create a counter-weighted lamp that can be controlled by a light touch. With the use of simple shapes such as circles, semicircles, tubes, and bars of different diameters, Marset has produced a stylish geometric sculpture.

The [Marset Copernica collection](#) comprises of a table lamp and two-floor lamp options, making it easier than ever to find a lamp to suit your needs. Copernica P floor lamp is ideal for tasks and ambiance because of the manurable arm and light source. The design lends itself to both domestic and commercial spaces.

PRODUCT SPECIFICATION

- Light Source:** 4.7W, 2700K, 491 Lumens
- IP Code:** 20
- Dimming:** Integrated dimmer on the product.
- Dimensions:** Height: 130cm
Length: 106cm
Base: Ø26cm
Shade: Ø12cm
Counterweight: Ø7.5cm
Cable Length: 200cm



For all sales and technical enquiries, please contact:

+44 (0)114 263 4266

info@davidvillagelighting.co.uk

www.davidvillagelighting.co.uk