



Santa & Cole Sin Table Lamp

LA5850

SOURCE: <https://www.davidvillagelighting.co.uk/product/Santa-Cole-Sin-Table-Lamp/19804>

PRODUCT DESCRIPTION

Designer: Antoni Arola

Santa & Cole Sin Table Lamp

The Sin table lamp was designed by Antoni Arola in 2013 and takes its name from the Spanish term for without as it can be used without a lampshade. Arola uses LED technology around a ring, creating a halo effect and a luminous glow that is effective and efficient. The table light is made from metal and has a simple and clear silhouette, with two discs connected by a slim stem. The ring of light looks as if it is floating, creating an ethereal aesthetic in any space.

The Sin table light is available in a graphite or white colour finish and can be bought with no shade, a graphite aluminium shade, a white aluminium shade or an opal white methacrylate shade. With no shade the light source is exposed and spreads out and with a shade, the light is diffused. Choose between a small or a large to find the right size for your interior and needs.

Lumens

Sin S

No Shade: 680 lumens

Opal White Methacrylate Shade: 630 lumens

White Aluminium Shade: 494 lumens

Graphite Aluminium Shade: 377 lumens

Sin L

No Shade: 1360 lumens

Opal White Methacrylate Shade: 989 lumens

White Aluminium Shade: 1261 lumens

Graphite Aluminium Shade: 754 lumens



PRODUCT SPECIFICATION

Light Source: Sin S: 12.5W, 2700K
Sin L: - 25W, 2700K

Please see the product description for Lumens output.

IP Code: 20

Dimming: Integrated dimmer included on product.

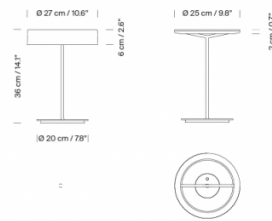
Dimensions: Sin S:

Shade: Ø27cm
Height: 36cm
Shade Height: 6cm
Base: Ø20cm

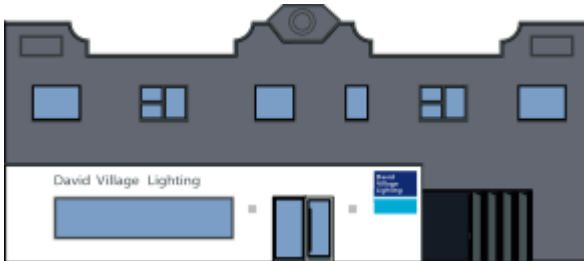
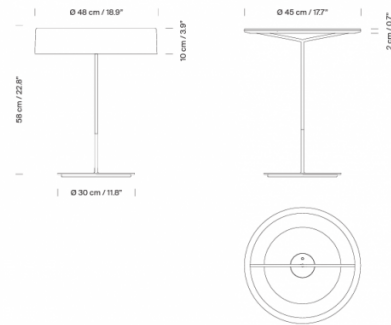
Sin L:

Shade: Ø30cm
Height: 58cm
Shade Height: 10cm
Base: Ø30cm

Model A: Sin S



Model B: Sin L



For all sales and technical enquiries, please contact:

+44 (0)114 263 4266

info@davidvillagelighting.co.uk

www.davidvillagelighting.co.uk