

**FOSCARINI**

**Foscarini Plena LED Pendant**

LA5823

SOURCE: <https://www.davidvillagelighting.co.uk/product/Foscarini-Plena-LED-Pendant/19774>



**PRODUCT DESCRIPTION**

**Designer:** Eugenio Gargioni & Guillaume Albouy

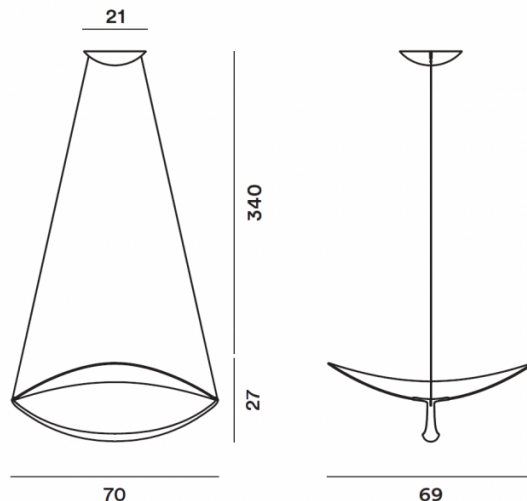
**Foscarini Plena LED Pendant Light**

The Plena LED pendant light takes its name from the full moon, acting as a large source of light that is poetic and natural. The shade has two contrasting elements that work together to produce an intriguing and beautiful light. The top is a large disc that is moulded to create a wavy effect. This allows the light, which sits in the curve beneath the disc, to reflect, creating a warm, glare-free glow.

The shape of the Plena LED pendant is both stunning and functional as it emits a downward light that is perfect for hanging over tables and surfaces. The LED light source is integrated into the light and can't be seen and the pendant is available in either a non-dimmable or dimmable version. Use in homes and professional settings to create a stylish impact in kitchens, dining rooms, and lounges.

**PRODUCT SPECIFICATION**

- Light Source:** 32W, 2700K, 3530 Lumens
- IP Code:** 20
- Dimming:** Non-Dimmable  
or  
Dimmable via Dali dimming systems or Push to make/ switch dimming. Please consult your electrician, additional wiring may be required on-site.
- Dimensions:** Width: 70cm  
Height: 27cm  
Ceiling Rose: Ø21cm  
Cable Length: 340cm



**For all sales and technical enquiries, please contact:**

+44 (0)114 263 4266

info@davidvillagelighting.co.uk

www.davidvillagelighting.co.uk