

MICHAEL ANASTASSIADES

# Michael Anastassiades Cone Ceiling / Wall Light

LA5798

SOURCE: <https://www.davidvillagelighting.co.uk/product/Michael-Anastassiades-Cone-Ceiling-Wall-Light/19698>

## PRODUCT DESCRIPTION

Designer: Michael Anastassiades

### Michael Anastassiades Cone Ceiling / Wall Light



The Michael Anastassiades Cone Ceiling/Wall Light is a compact and versatile fixture inspired by postmodern geometry. Featuring a polished brass or plated finish, this light emits a warm and diffused glow, perfect for hallways, living areas, or accent lighting. Its sleek design makes it suitable for both ceiling and wall installation, providing flexibility and style in one piece.

Michael Anastassiades' commitment to material authenticity is evident in this design. The unlacquered brass finish will develop a patina over time, adding unique character to each piece. Whether used as a standalone feature or in multiples, the Cone Ceiling/Wall Light is a refined addition to any interior.

**This product is also available in Custom Patina Finishes by request only, please [contact us](#) to discuss pricing and availability.**

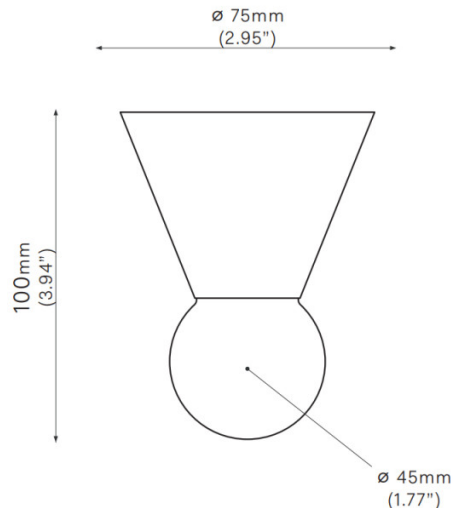
## PRODUCT SPECIFICATION

**Light Source:** 1 x Max 2W G9 LED (Included)

**IP Code:** 20

**Dimming:** Dimmable via Triac dimming.

**Dimensions:** Height: 10cm  
Shade: Ø4.5cm





**For all sales and technical enquiries, please contact:**

+44 (0)114 263 4266

[info@davidvillagelighting.co.uk](mailto:info@davidvillagelighting.co.uk)

[www.davidvillagelighting.co.uk](http://www.davidvillagelighting.co.uk)