

MICHAEL ANASTASSIADES

Michael Anastassiades Single Angle Pendant

LA5794/B

SOURCE: <https://www.davidvillagelighting.co.uk/product/Michael-Anastassiades-Single-Angle-Pendant/19690>



PRODUCT DESCRIPTION

Designer: Michael Anastassiades

Michael Anastassiades Single Angle Pendant

The Michael Anastassiades Single Angle Pendant is a minimalist lighting solution that embodies simplicity and craftsmanship. Inspired by the form of a fishing hook, the pendant features a single luminous opaline glass sphere held within a satin brass or nickel-plated frame. The use of mouth-blown glass adds a tactile elegance, complementing the sleek metal structure. With a rod-suspended design, the pendant's drop length can be customised to suit your interior needs, ensuring versatility in both residential and commercial settings.

Designed with an appreciation for natural materials, the Single Angle Pendant's finishes are left unlacquered, allowing a patina to develop over time, enhancing its character. The timeless aesthetic, paired with Michael Anastassiades' dedication to artisanal techniques, ensures this light remains both functional and an enduring piece of design.

Please note, when ordering the Custom Drop version of this product please [contact us](#) to specify your preferred drop.

PRODUCT SPECIFICATION

Light Source: 1 x Max 3.5W G9 LED (Included)

IP Code: 20

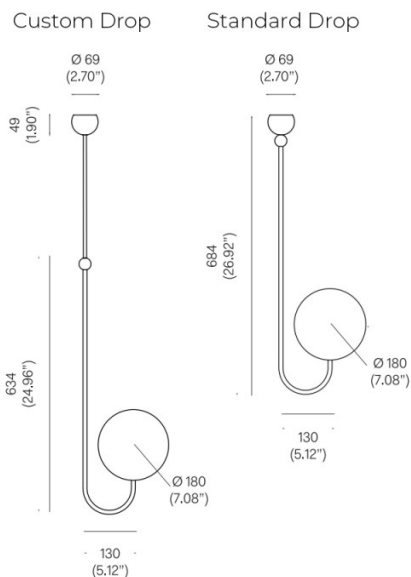
Dimming: Dimmable via Triac dimming.

Dimensions: Standard Drop

Shade: Ø18cm
Fixture Width: 13cm
Canopy: Ø5.67cm
Canopy Height: 4.9cm
Drop: 68.4cm

Custom Drop

Shade: Ø18cm
Fixture Width: 13cm
Canopy: Ø5.67cm
Canopy Height: 4.9cm
Drop: 73.5-201cm





For all sales and technical enquiries, please contact:

+44 (0)114 263 4266

info@davidvillagelighting.co.uk

www.davidvillagelighting.co.uk