

**Artemide**

LA5649

# Artemide Demetra Professional LED Table Lamp

SOURCE: <https://www.davidvillagelighting.co.uk/product/Artemide-Demetra-Professional-LED-Table-Lamp/19476>

## PRODUCT DESCRIPTION

**Designer:** Naoto Fukasawa

### Demetra Professional Table Lamp by Artemide

With the rise in demand for task lights, Naoto Fukasawa expanded the Demetra Collection with the addition of the Demetra Professional lights. The Artemide Demetra Professional maintain the same streamlined and sleek design but have adapted the diffuser with a stronger LED source. The diffuser has been redesigned to function as a 'heatsink', preventing any heat to reach the top of the diffuser. The thermodynamics behind this design permits an easier use, to adjust the head and use the dimmer switch.

The Demetra Professional table lamp has all the features of the Demetra collection, just a stronger LED COB. With a dimmer switch on the diffuser, light intensity is easily adjusted. The head can pivot and rotate, and the arm is adjustable to up to 45°. All these features will allow the user to control both the light and the direction, perfectly adjusting it depending on the task and use.

A light perfect for any interior, complimenting all spaces, the Demetra Professional lights are perfect for your home, office and business. Explore the [Demetra Collection](#) and pick your favourite. The collection includes various applications, floor and table lamps, wall lights and spotlights. The design of the Demetra was awarded numerous awards, such as the Design Plus, light + building Frankfurt am Main, iF Design Award Deutschland and the Red Dot Design Award Essen in 2004.



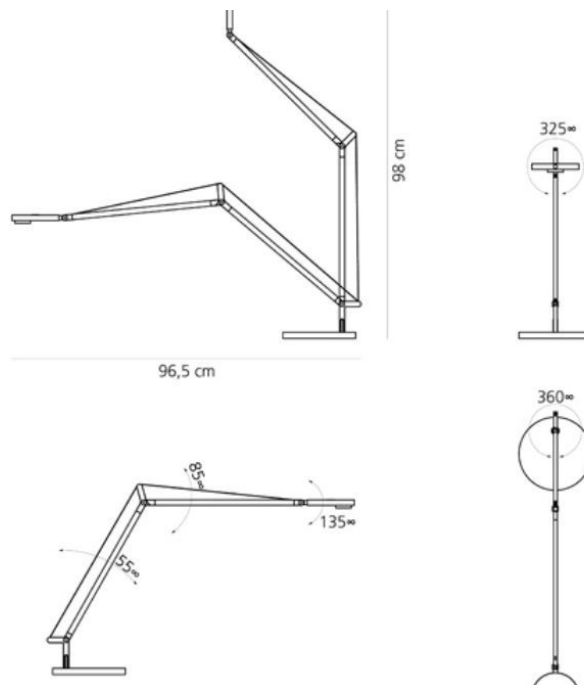
## PRODUCT SPECIFICATION

**Light Source:** 12W, 3000K, 960 lumens

**IP Code:** 20

**Dimming:** Microswitch dimmer

**Dimensions:** Ø 20 cm  
31-100 cm length  
35-102 cm height



**For all sales and technical enquiries, please contact:**

+44 (0)114 263 4266

[info@davidvillagelighting.co.uk](mailto:info@davidvillagelighting.co.uk)

[www.davidvillagelighting.co.uk](http://www.davidvillagelighting.co.uk)