

**MUUTO**

**Muuto Beam LED Table Lamp**

LA5640

SOURCE: <https://www.davidvillagelighting.co.uk/product/Muuto-Beam-LED-Table-Lamp/19428>

**PRODUCT DESCRIPTION**

Designer: Tom Chung

**Muuto Beam LED Table Lamp**

Winner of the 2019 Wallpaper Design Award for 'Best Finishing Touch', Muuto's Beam is a versatile [table lamp](#) with a modern, user-friendly design. Light shines from both ends of the cylinder, creating the impression that a single ray of light is travelling through a round tube. These two light sources work independently and can be used one at a time or together, allowing them to illuminate spaces more effectively without the need for more lamps.

Inspired by the dimmable nature of traditional car headlights, designer Tom Chung has included a playful dial which enables the user to choose between three different dimmer settings to gradually alter the volume of light emitted from each end. This ensures maximum versatility and provides an intuitive way to adjust the output of the lamp's integrated, energy-efficient LED light source for a variety of spaces. With its 350-degree rotating base and unique diagonal design, Beam can be altered to achieve illumination exactly where and how it is needed, making it perfect for providing either direct or ambient lighting in any home, office, or commercial environment. Its sleek body has a matte feel and features an anodised aluminium surface, creating a vibrant linear gradient of colour. Available in two sizes with the large size available in a black or polished aluminium finish.



**PRODUCT SPECIFICATION**

**Light Source:** 10W, 2700K, 425 Lumens

**IP Code:** 20

**Dimming:** In-line dimmer included on the cable.

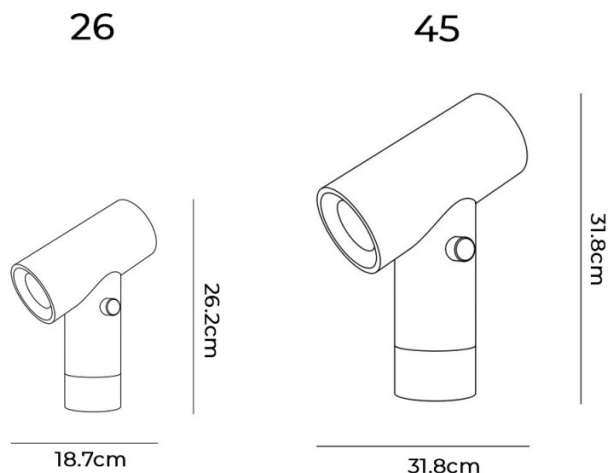
**Dimensions:** 26

Height: 26.2cm  
Width: 18.7cm  
Depth: 8.7cm

**45**

Height: 45.4cm  
Width: 31.8cm  
Depth: 14.4cm

Cable Length: 250cm





**For all sales and technical enquiries, please contact:**

+44 (0)114 263 4266

[info@davidvillagelighting.co.uk](mailto:info@davidvillagelighting.co.uk)

[www.davidvillagelighting.co.uk](http://www.davidvillagelighting.co.uk)