

# Prandina Gong W1 Wall Light

LA5591

SOURCE: <https://www.davidvillagelighting.co.uk/product/Prandina-Gong-W1-Wall-Light/19308>



## PRODUCT DESCRIPTION

**Designer:** Sergio Prandina

### Gong W1 Wall Light by Prandina

The Gong W1 is a wall lamp addition to Prandina's Gong collection.

Inspired by traditional Chinese lanterns, Sergio Prandina has designed a blown glass diffuser with a two part-design which highlights the variety of ways in which the beauty of glass can be expressed. The lower section, left undecorated, exemplifies the purity of clear glass, while the upper section is embellished through painting, mirroring, or metallizing to demonstrate how glass can be transformed to fit a given aesthetic. The Gong W1 is an ideal solution for illuminating small, intimate spaces like bedrooms, dining tables, and reading nooks in both residential and commercial settings.

Use alongside other members of the Gong family to ensure consistency throughout your design scheme or alone to draw even more attention to its decoration. An [LED version](#) is also available, while the wider collection includes a [pendant](#), [Mini pendant](#), and [table lamp](#).

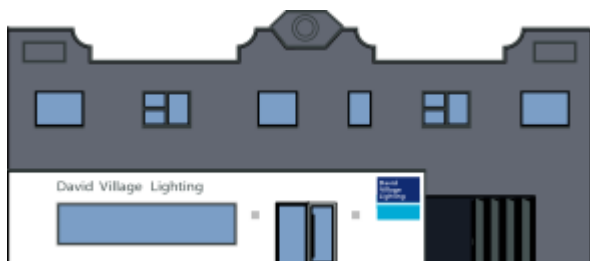
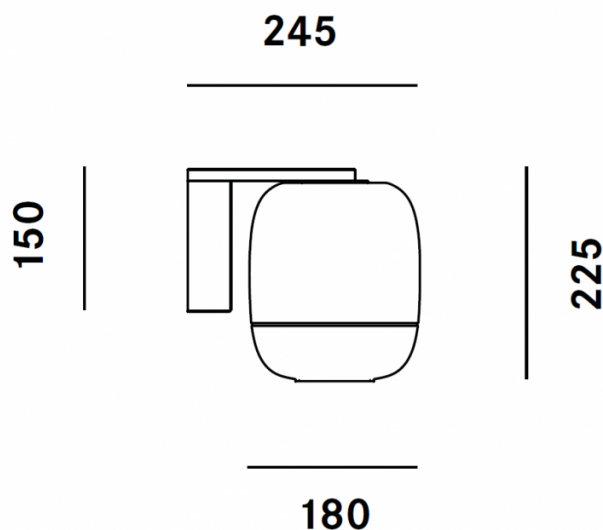
## PRODUCT SPECIFICATION

**Light Source:** 1 x HSGST G9 60W max (excluded)

**IP Code:** 20

**Dimming:** Dimmable via mains phase dimming

**Dimensions:** Ø18cm shade  
22.5cm shade height  
15cm wall bracket height  
24.5cm depth from wall



**For all sales and technical enquiries, please contact:**

+44 (0)114 263 4266

[info@davidvillagelighting.co.uk](mailto:info@davidvillagelighting.co.uk)

[www.davidvillagelighting.co.uk](http://www.davidvillagelighting.co.uk)