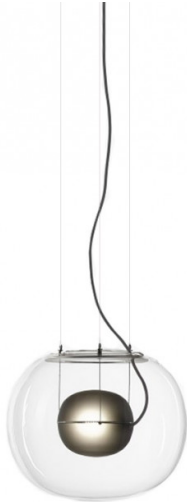


BROKIS®

Brokis Big One Pendant

LA5568

SOURCE: <https://www.davidvillagelighting.co.uk/product/Brokis-Big-One-Pendant/19262>



PRODUCT DESCRIPTION

Designer: Lucie Koldova

Brokis Big One Pendant

Another sleek design by Lucie Koldova, the Brokis Big One LED Pendant is an almost futuristic lighting solution for residential and commercial spaces. The Big One consists of a rounded glass shade that encapsulates a diffused LED light source, the result is an ambient pendant that is guaranteed to turn heads. The sophisticated design of a bubble suspended in the centre of a large sphere evokes a sense of levitation in space.

The Brokis Big One Pendant is available in two sizes and can be displayed individually or grouped together to form clusters, this light makes a beautiful centrepiece above dining tables, kitchen islands or coffee tables in contemporary homes.

The glass is available in a range of finishes, including transparent, smoke grey or light smoke brown. Please [contact us](#) for more information and pricing.

PRODUCT SPECIFICATION

Light Source: **Small:** 15W, 2700K, 1894 Lumens
Large: 18W, 2700K, 2592 Lumens

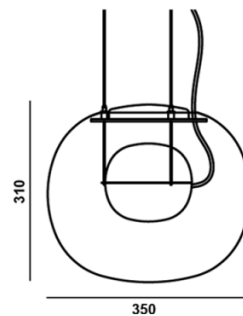
IP Code: 20

Dimming: Non dimmable.

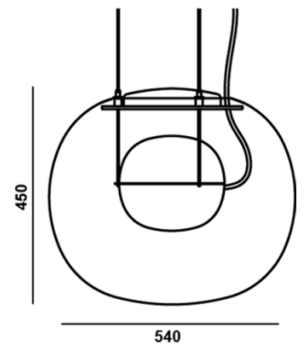
Dimensions: Small:
 Ø35cm
 Height: 31cm

Large:
 Ø54cm
 Height: 45cm

Small:



Large:





For all sales and technical enquiries, please contact:

+44 (0)114 263 4266

info@davidvillagelighting.co.uk

www.davidvillagelighting.co.uk