

Resident

Resident Bloom Table Lamp

LA5554

SOURCE: <https://www.davidvillagelighting.co.uk/product/Resident-Bloom-Table-Lamp/19238>

PRODUCT DESCRIPTION

Designer: Tim Rundle

Resident Bloom Table Lamp

The Resident Bloom Table Lamp, designed by Tim Rundle, reinterprets the timeless elegance of paper lanterns in a compact form. Its frosted blown glass shade, paired with a perforated mesh core, emits a soft, diffused light that creates a captivating interplay of textures. Sitting on a plated stainless steel base, the table lamp projects a warm glow both upwards and downwards, enhancing any surface or room.

Ideal for bedside tables, desks, or sideboards, the Bloom Table Lamp adds sophistication to contemporary interiors. Its unique blend of contrasting materials and meticulous craftsmanship ensures a beautiful lit effect, making it a versatile addition to the Bloom collection.



PRODUCT SPECIFICATION

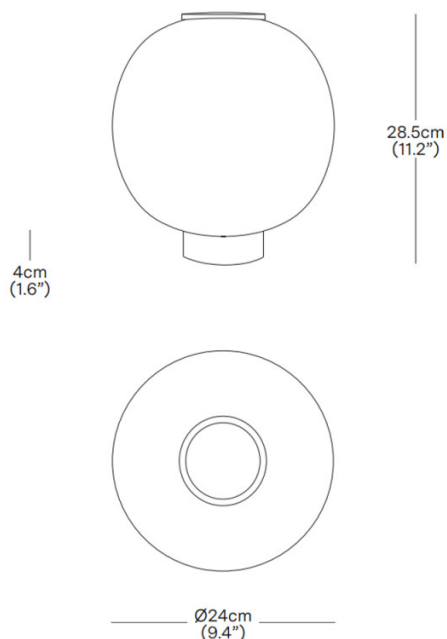
Light Source: 1 x Max 5W E27 LED (Excluded)

IP Code: 20

Dimming: In-line dimmer included on cable.

Dimensions: Shade: Ø24cm
Base Height: 4cm
Height: 28.5cm

Cable: 300cm



For all sales and technical enquiries, please contact:

+44 (0)114 263 4266

info@davidvillagelighting.co.uk

www.davidvillagelighting.co.uk