

LEE BROOM

Lee Broom Lens Flair Pendant

LA5552

SOURCE: <https://www.davidvillagelighting.co.uk/product/Lee-Broom-Lens-Flair-Pendant/19233>



PRODUCT DESCRIPTION

Designer: Lee Broom

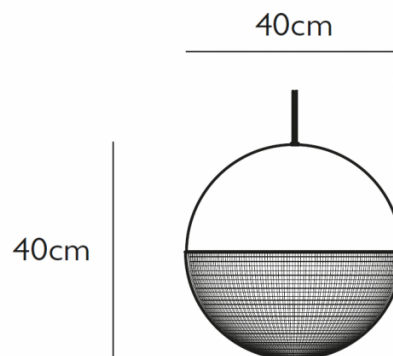
Lens Flair Pendant by Lee Broom

Inspired by telescopic lenses and the art of horizontal and vertical refractions, Lens Flair is a piece of two halves, seamlessly combining the solid and the transparent. A detailed cross-cut lens emits a soft deflected light, which is juxtaposed by contemporary solid casing in brushed brass or matte black finishes. Lens Flair makes a bold statement by itself, or multiple pendants can be hung to create a celestial installation.

The Lee Broom Lens Flair Pendant is a beautiful addition to restaurants, bars and hotels - adding a glamorous touch to the interior whilst catching the eye of visitors and guests. This pendant can also be utilised in larger residential interiors but is available as the [Little Lens Flair Pendant](#) which is a smaller version with a 20cm diameter, is perfect for smaller homes.

PRODUCT SPECIFICATION

- Light Source:** 1 x Max 12W E27 LED dimmable (included by Lee Broom)
- IP Code:** 20
- Dimming:** Dimmable using leading edge dimming.
- Dimensions:** Height: 40cm
Width: 40cm
Cable Length: 300cm
Ceiling Plate: Ø12cm x 3cm



For all sales and technical enquiries, please contact:

+44 (0)114 263 4266

info@davidvillagelighting.co.uk

www.davidvillagelighting.co.uk