

marset

Marset Dipping Light LED Table Lamp

LA5518

SOURCE: <https://www.davidvillagelighting.co.uk/product/Marset-Dipping-Light-LED-Table-Lamp/19184>



PRODUCT DESCRIPTION

Designer: Jordi Canudas

Marset Dipping Light Table lamp

More than just a functional lamp, Dipping light's designer Jordi Canudas creates to excite. Dipping light reveals beautiful gradient tones of colour when illuminated, creating a welcoming ambient effect. When the lamp is turned off, the coloured glass sphere is an eye-catching design piece for a shelf or table.

The designer Jordi Canudas is a scientist of light! Seeking to be surprised by light and capture the essence of it, Canudas experiments a lot to find the unexpected. Dipping Light is a result of one of these experiments – dipping a lit bulb into paint several times – with the end result inspiring this lamp.

The base is available in brass with three coloured glass finishes to choose from.

Available in three sizes, the Marset Dipping light is the perfect decorative piece for living rooms, bedrooms and social areas to create a mood setting ambience as well as a charming feature.

PRODUCT SPECIFICATION

Light Source: **Dipping Light M & S:** 8.6W, 2700K, 765 Lumens
*appears 312 Lumens through the lampshade.
Dipping Light: 2.2W, 2700K, 216 Lumens
*appears 123 Lumens through the lampshade.

IP Code: 20

Dimming: **Dipping Light M & S:** In-line dimmer included on cable.
Dipping Light: In-line on/off switch included on cable.

Dimensions: **Dipping Light M:**

Shade: Ø30cm

Base: Ø15cm

Height: 54cm

Dipping Light S:

Shade: Ø20cm

Base: Ø10.8cm

Height: 36cm

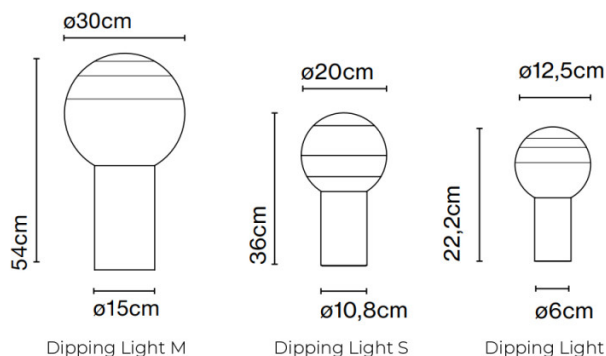
Dipping Light:

Shade: Ø12.5cm

Base: Ø6cm

Height: 22.2cm

Cable Length (All Sizes): 200cm





For all sales and technical enquiries, please contact:

+44 (0)114 263 4266

info@davidvillagelighting.co.uk

www.davidvillagelighting.co.uk