

PANZERI

Panzeri Jackie LED Desk Lamp

LA5439

SOURCE: <https://www.davidvillagelighting.co.uk/product/Panzeri-Jackie-LED-Desk-Lamp/19051>

PRODUCT DESCRIPTION

Designer: Panzeri Design Team

Panzeri Jackie LED Desk Lamp

The Panzeri Jackie LED Desk Lamp is a versatile lighting solution designed for modern workspaces, bedrooms, and studios. Crafted from extruded aluminium and featuring a die-cast aluminium head, its sleek structure is both functional and stylish. The Jackie lamp offers five-step dimming control for adjustable brightness levels, ensuring optimal lighting for every task.

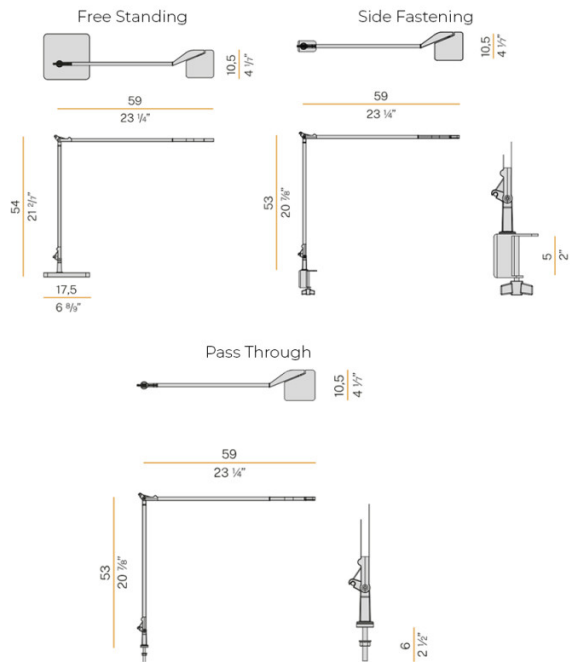
The lamp's swivelling head rotates on two axes with a double joint for precise light positioning, while its miniaturised junction adds a clean, minimalist touch. Available in white, black, matt brass, or titanium, the Jackie desk lamp suits a wide range of interiors as well as a choice of three different mounting options.

Whether used in offices, home studios, or reading nooks, the Panzeri Jackie LED Desk Lamp provides elegant illumination and exceptional flexibility.



PRODUCT SPECIFICATION

- Light Source:** 10W, 3000K, 706 Lumens
- IP Code:** 40
- Dimming:** Integrated dimmer on the product.
- Dimensions:** Height: 54-113cm
Depth: 59-113cm
Base Width: 17.5cm





For all sales and technical enquiries, please contact:

+44 (0)114 263 4266

info@davidvillagelighting.co.uk

www.davidvillagelighting.co.uk