

PANZERI

Panzeri Golden Ring LED Suspension

LA5438/183

SOURCE: <https://www.davidvillagelighting.co.uk/product/Panzeri-Golden-Ring-LED-Suspension/19049>

PRODUCT DESCRIPTION

Designer: Enzo Panzeri

Panzeri Golden Ring LED Suspension



The Panzeri Golden Ring Suspension is a statement lighting piece that seamlessly blends elegance with modern functionality. Designed by Enzo Panzeri, this suspension light features a curved aluminium structure complemented by opal polycarbonate diffusers for both direct and indirect illumination. Available in four sizes, 80cm, 120cm, 180cm, and 300cm, the Golden Ring adapts effortlessly to residential, hospitality, and commercial settings.

The Golden Ring's versatility extends to its finish options, offering a sleek white or black polyacrylic paint or a stunning gold leaf decoration for an opulent touch. The light can be installed individually or combined in creative compositions to make an impactful statement in spaces such as open-plan living areas, reception desks, hotels, or offices.

Equipped with DALI/Push DIM dimming technology (for Direct and Indirect Light versions), this suspension light allows you to adjust the ambience with ease.

Please note, for interiors requiring a cooler light, the Golden Ring can also be supplied with 4000K LEDs upon request. The oversized 300cm diameter version is shipped in two semicircles and is suspended using six steel cables for added stability. Please [contact us](#) for more information and pricing.

PRODUCT SPECIFICATION

Light Source: Metal
Polycarbonate
PVC

IP Code: 40

Dimming: **Direct Light (80cm):**
Non-Dimmable

Direct and Indirect Light (all sizes):
Dimmable via DALI/Push DIM technology. Please consult your electrician, additional wiring may be required on site.

Dimensions: 80cm (Direct & Direct and Indirect Variants):

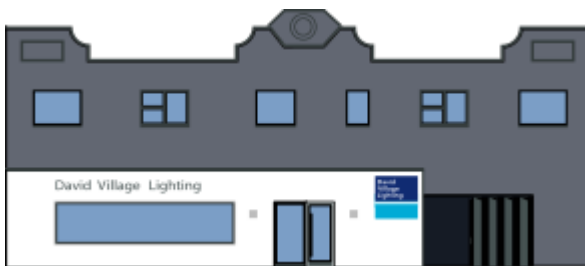
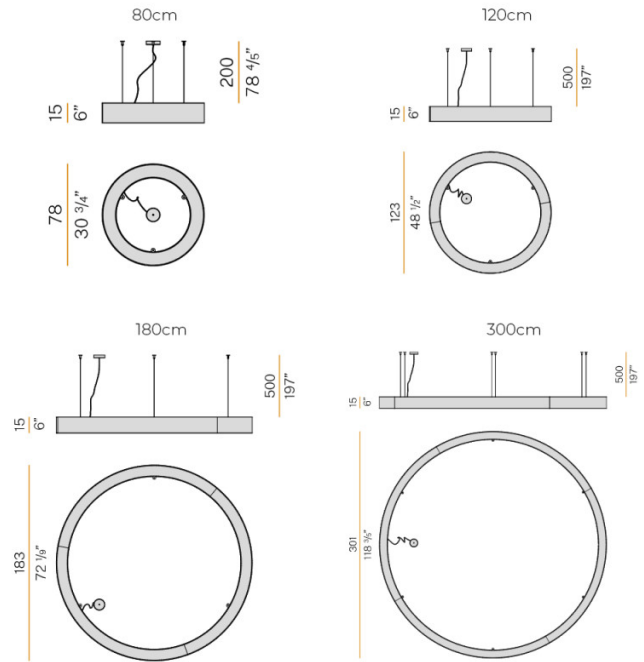
Pendant: Ø78cm
Pendant Height: 15cm

120cm:
Pendant: Ø123cm
Pendant Height: 15cm

180cm:
Pendant: Ø183cm
Pendant Height: 15cm

300cm:
Pendant: Ø301cm
Pendant Height: 15cm

Cable Length: 200cm (80cm-180cm) / 500cm (300cm)



For all sales and technical enquiries, please contact:

+44 (0)114 263 4266

info@davidvillagelighting.co.uk

www.davidvillagelighting.co.uk