

PANZERI

LA5427

Panzeri Brooklyn Line LED Suspension

SOURCE: <https://www.davidvillagelighting.co.uk/product/Panzeri-Brooklyn-Line-LED-Suspension/19024>

PRODUCT DESCRIPTION

Designer: Panzeri Design Team

Panzeri Brooklyn Line LED Suspension

The Panzeri Brooklyn Line LED Suspension is a minimalist lighting solution designed for modern interiors, offering sleek aesthetics and high functionality. Constructed from extruded aluminium with a durable powder paint finish, the Brooklyn Line provides a clean and contemporary look for both residential and commercial spaces.

Available in two finish options, black or white, and two lighting configurations, a non-dimmable constant light or a dimmable version compatible with DALI and Push DIM systems. The opaline polycarbonate diffuser ensures soft, even light distribution, perfect for creating a welcoming ambiance.

The Brooklyn Line comes in three size options, 100cm, 150cm, and 200cm, making it versatile enough for various spaces, from dining areas and office environments to retail displays. Its 2.2m adjustable suspension cables allow for flexible installation heights, while its simple design ensures it seamlessly integrates into any interior scheme.



PRODUCT SPECIFICATION

Light Source:
100cm: 20W, 3000K, 1142 Lumens
150cm: 29W, 3000K, 1713 Lumens
200cm: 39W, 3000K, 2284 Lumens

IP Code: 20

Dimming: **Constant Light:**
Non dimmable.

Dimmable:

Dimmable via DALI/Push DIM technology. Please consult your electrician, additional wiring may be required on site.

Dimensions: **100cm:**

Length: 100cm
Width: 12cm
Height: 7cm

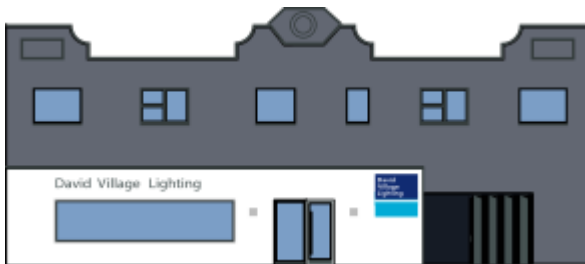
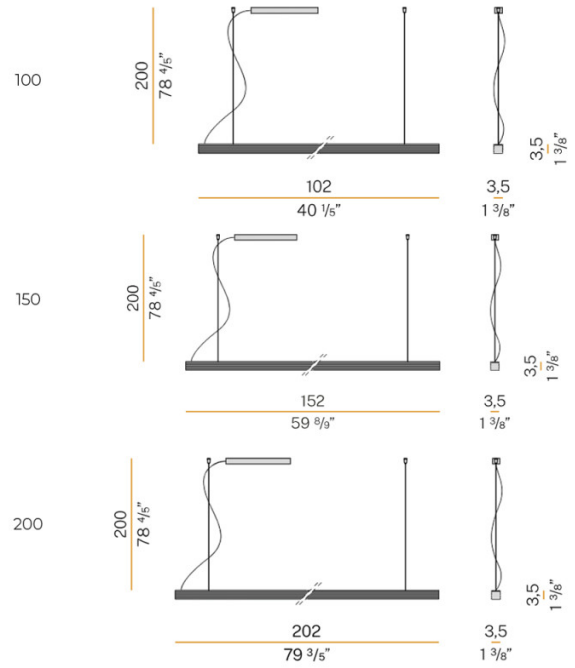
150cm:

Length: 150cm
Width: 12cm
Height: 7cm

200cm:

Length: 200cm
Width: 12cm
Height: 7cm

Cable Length: 2.2m (standard across all variants).



For all sales and technical enquiries, please contact:

+44 (0)114 263 4266

info@davidvillagelighting.co.uk

www.davidvillagelighting.co.uk