

Light Attack Kygo LED Pendant

LA5414

SOURCE: <https://www.davidvillagelighting.co.uk/product/Light-Attack-Kygo-LED-Pendant/18993>



PRODUCT DESCRIPTION

Light Attack Kygo Pendant.

Double ring chandelier luminous 2 cm thick polyurethane foam houses topLED sources that slide into the recesses of the material structure. Two light rings are arranged in a play of reflective mirrors: the smaller ring, located above the light source, directs the light downwards.

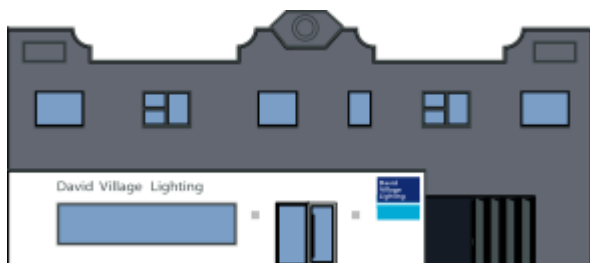
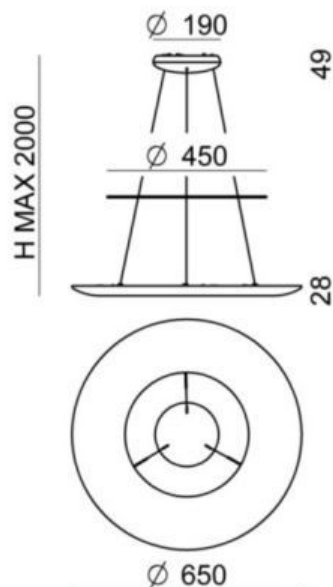
Dali dimming option also available. Larger version with Dali dimming also available. Please contact us for more information.

PRODUCT SPECIFICATION

Light Source: 42W, 3000K, 4173lumens

IP Code: 20

Dimming: Dimmable via mains phase dimming.



For all sales and technical enquiries, please contact:

+44 (0)114 263 4266

info@davidvillagelighting.co.uk

www.davidvillagelighting.co.uk