



Light Attack Line LED Pendant

LA5412

SOURCE: <https://www.davidvillagelighting.co.uk/product/Light-Attack-Line-LED-Pendant/18991>



PRODUCT DESCRIPTION

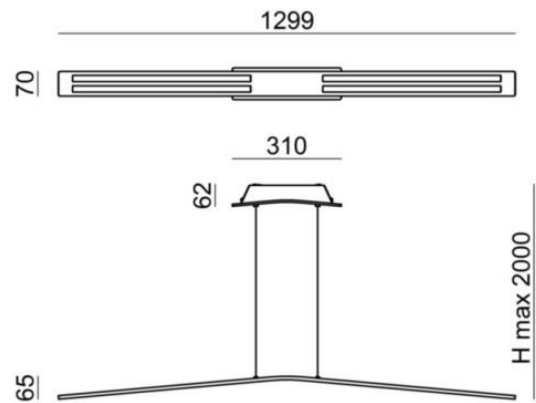
Light Attack Line Pendant.

Minimalist design pendant lamp with angular shape. The double opal polycarbonate diffuser is melted into black or white painted, press-bent aluminium foils, from which a direct emission LED light is emitted.

PRODUCT SPECIFICATION

Light Source: 45W, 3000K, 3241lumens

IP Code: 40



For all sales and technical enquiries, please contact:

+44 (0)114 263 4266

info@davidvillagelighting.co.uk

www.davidvillagelighting.co.uk