



Light Attack Oxy LED Pendant

LA5409

SOURCE: <https://www.davidvillagelighting.co.uk/product/Light-Attack-Oxy-LED-Pendant/18988>



PRODUCT DESCRIPTION

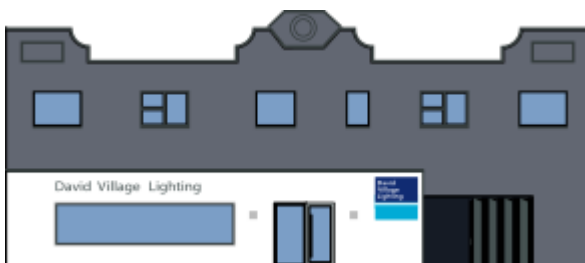
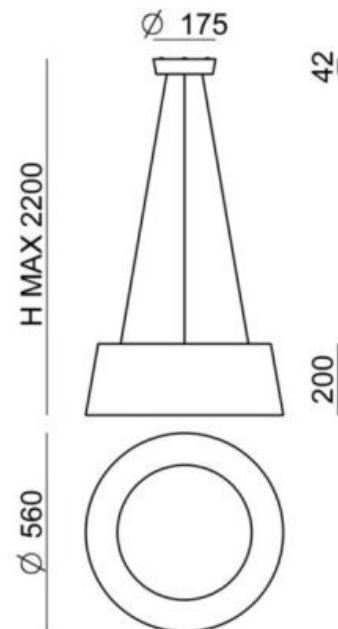
Light Attack Oxy Pendant.

A round pendant lamp with a delicate appearance, designed by Pio and Tito Toso and composed of a ring lampshade in polyurethane in different colours

Available in larger size. Please contact us for more information

PRODUCT SPECIFICATION

- Light Source:** 36W, 3000K
- IP Code:** 40
- Dimming:** Dimmable via Dali dimming systems. Please consult your electrician, additional wiring may be required on site.



For all sales and technical enquiries, please contact:

+44 (0)114 263 4266

info@davidvillagelighting.co.uk

www.davidvillagelighting.co.uk