

VIBIA

Vibia Guise LED Wall Light

LA5391

SOURCE: <https://www.davidvillagelighting.co.uk/product/Vibia-Guise-LED-Wall-Light/18945>

PRODUCT DESCRIPTION

Designer: Stefan Diez

Vibia Guise LED Wall Light

Designed by Stefan Diez, the Guise wall light is an example of ingenuity and excellence in lighting design, making the best use of integrated LED technology. The wall lamp is characterised by a circular transparent glass lampshade that when switched off seemingly disappears into its surroundings and when switched on creates an alluring and eye-catching illumination.

The Guise LED wall lamp emits a spherical glow as the light shines out from its edge and reflects off the glass and wall surface. This magical illusion creates a warming atmosphere and provides a contemporary aesthetic for many interiors. Available in a small or large size, you can use this wall light in homes, offices, commercial spaces and hospitality venues for a clever, stylish and effective solution.



PRODUCT SPECIFICATION

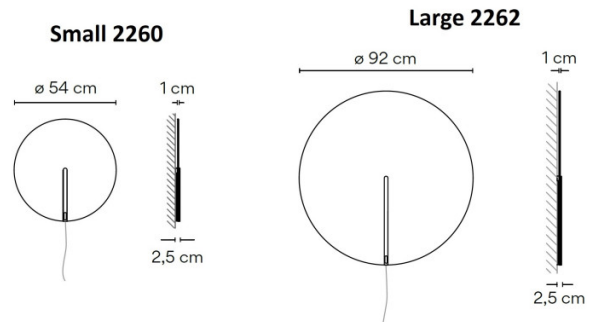
Light Source: Small 2260 - 10W, 3000K, 871 Lumens
 Large 2262 - 17.2W, 3000K, 1505 Lumens

IP Code: 20

Dimming: Optical Sensor dimmer on the product.

Dimensions: Small 2260 - Ø54cm
 Large 2262 - Ø92cm

Depth: 1cm
 Cable Length: 300cm



For all sales and technical enquiries, please contact:

+44 (0)114 263 4266

info@davidvillagelighting.co.uk

www.davidvillagelighting.co.uk