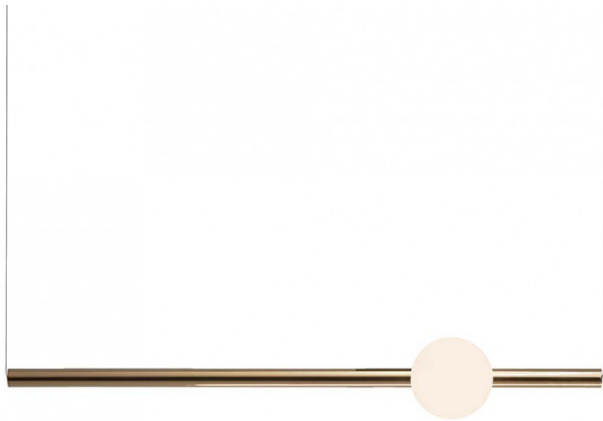


LEE BROOM

Lee Broom Orion Globe Light LED Suspension

LA5377

SOURCE: <https://www.davidvillagelighting.co.uk/product/Lee-Broom-Orion-Globe-Light-LED-Suspension/18919>



PRODUCT DESCRIPTION

Designer: Lee Broom

Orion Globe LED Suspension Light

The Lee Broom Orion Globe LED Suspension consists of a solid steel tube structure with a spherical opal acrylic diffuser nestled within it, an opposite presentation to the [Lee Broom Orion Tube Suspension](#) - the pair beautifully portray the traditional yin and yang ethos. The Lee Broom Orion Globe can be suspended horizontally or vertically and can be exhibited individually or as a larger installation, this offers an endless number of ways to present the light. Thanks to the opal diffuser, the Orion Globe emits an atmospheric illumination which provides functional lighting that avoids any harsh glare.

Available in either gold or gunmetal, the Orion Suspension can easily adapt to various contemporary interiors and due to its easy personability can fit both residential and commercial spaces. Orion presents beautifully when hung above dining tables, kitchen counters or large modern offices.

Please Note: The Orion Globe Suspension is supplied with a separate LED driver with 220-240v input.

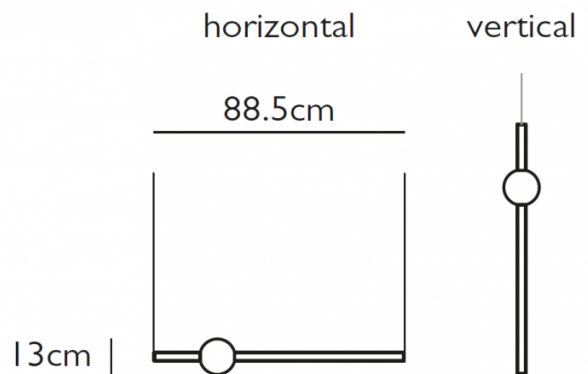
PRODUCT SPECIFICATION

Light Source: 6.2W, 2700K, 377 Lumens

IP Code: 20

Dimming: Dimmable using leading edge (Triac).

Dimensions: Length: 88.5cm
Height: 13cm
Maximum Cable Length: 500cm





For all sales and technical enquiries, please contact:

+44 (0)114 263 4266

info@davidvillagelighting.co.uk

www.davidvillagelighting.co.uk