

LEE BROOM

Lee Broom Eclipse LED Pendant

LA5373

SOURCE: <https://www.davidvillagelighting.co.uk/product/Lee-Broom-Eclipse-LED-Pendant/18915>



PRODUCT DESCRIPTION

Designer: Lee Broom

Lee Broom Eclipse LED Pendant

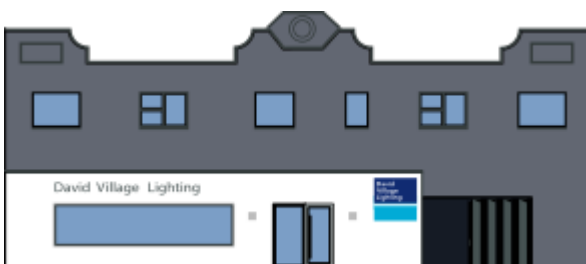
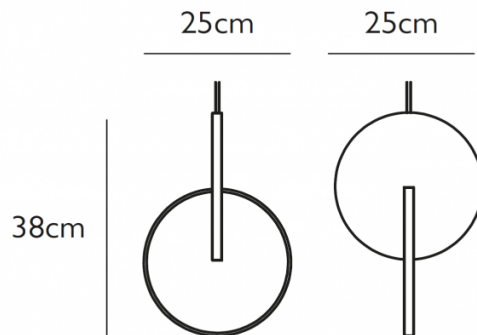
The Lee Broom Eclipse LED Pendant is crafted from two circular plates, one of polished chrome or gold-plated steel, and the other made from opal acrylic. These two plates can move 90 degrees, both eclipsing and revealing the light source almost as if it is in orbit. This sculptural pendant was inspired by the cosmos and adds an ethereal feel to your space.

The Lee Broom Eclipse is an extraordinary pendant which is ideal for larger environments where the design can flourish. This magnificent luminaire is able to complement a wide range of contemporary interiors and can be used as a focal point in your residential or commercial space.

Please Note: The Lee Broom Eclipse Suspension is supplied with a separate LED driver.

PRODUCT SPECIFICATION

- Light Source:** 9.1W, 2700K, 466 Lumens
- IP Code:** 20
- Dimming:** Dimmable using leading edge and trailing edge (Triac).
- Dimensions:** Height: 38cm
Depth: 25cm
Width: 25cm
Cable Length: 500cm



For all sales and technical enquiries, please contact:

+44 (0)114 263 4266

info@davidvillagelighting.co.uk

www.davidvillagelighting.co.uk