

DCW éditions In The Tube Solar Suspension

LA5361

SOURCE: <https://www.davidvillagelighting.co.uk/product/DCW-ditions-In-The-Tube-Solar-Suspension/18897>



PRODUCT DESCRIPTION

Designer: Dominique Perrault & Gaëlle Lauriot-Prévost

In The Tube Solar Suspension Light by DCW éditions

The In The Tube Solar suspension is a modern take on a chandelier, comprised of six tubes that can be moved into different positions. Each tube has metal mesh diffusers and a metal reflector which creates an evenly spread illumination that is inviting and warm. The diffusers are available in a gold or silver colour and the reflector is also available in gold or silver.

The In The Tube Solar pendant light can be used in many settings, particularly thriving in large spaces, whether you want to use it for your large lounging area, for a restaurant or in a gallery. The tubes can be lowered and raised to suit your lighting needs and you can also choose between black or transparent stoppers that sit at either end of each individual tube. Also available in 2 sizes, the smaller 6-700 and the bigger 6-1300.

PRODUCT SPECIFICATION

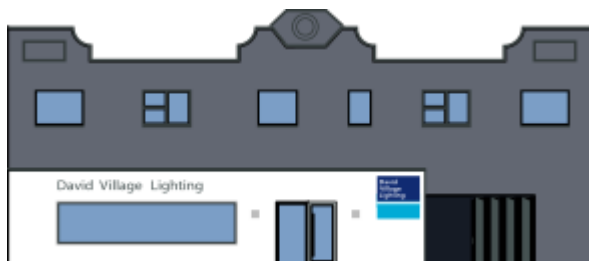
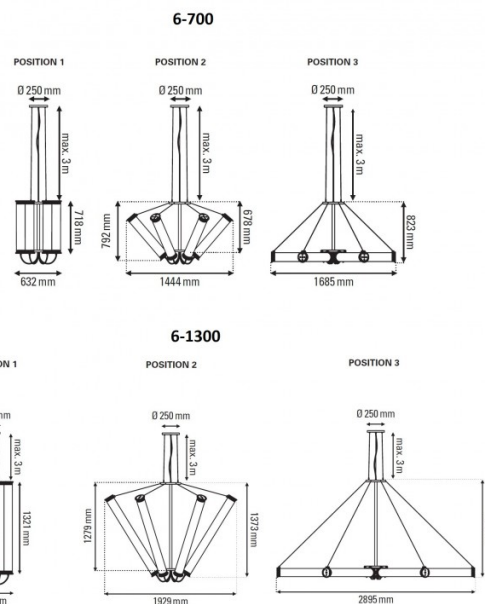
Light Source: 6-700 - 24 x max 6W E27 LED (excluded)
6-1300 - 36 x max 6W E27 LED (excluded)

IP Code: 20

Dimming: Dimmable via mains phase dimming

Dimensions: 6-700 - 71.8cm tube height
6-1300 - 131.2cm tube height

Ø25cm ceiling canopy
300cm max. cable length



For all sales and technical enquiries, please contact:

+44 (0)114 263 4266

info@davidvillagelighting.co.uk

www.davidvillagelighting.co.uk