

# DCW éditions In The Tube 100-350 Wall Light

LA5359

SOURCE: <https://www.davidvillagelighting.co.uk/product/DCW-ditions-In-The-Tube-100-350-Wall-Light/18896>



## PRODUCT DESCRIPTION

**Designer:** Dominique Perrault & Gaëlle Lauriot-Prévost

### In The Tube 100-350 Wall Light by DCW éditions

Designed by Dominique Perrault and Gaëlle Lauriot-Prévost, the In The Tube 100-350 wall lamp brings industrial design paired with delicacy and refinement. Born from the idea of creating a piece that is unknown, original and timeless, this wall light combines many elements. The diffusers are made from a metal mesh with an internal metal reflector that is surrounded by borosilicate glass. The light bulb is diffused creating a warm glow and reflects off the structure to create a unique illumination.

The In The Tube 100-350 is available in various colour combinations with the choice between a gold or silver reflector, black or transparent stoppers and a gold or silver mesh diffuser. The various choices means you can find the right effect for your space as each finish produces its own ambience. A stunning and stylish wall lamp, the In The Tube 100-350 is suitable for many settings and applications and can be used both indoors and outdoors. Also match with other lights from the [DCW éditions In The Tube collection](#) for a consistent light scheme.

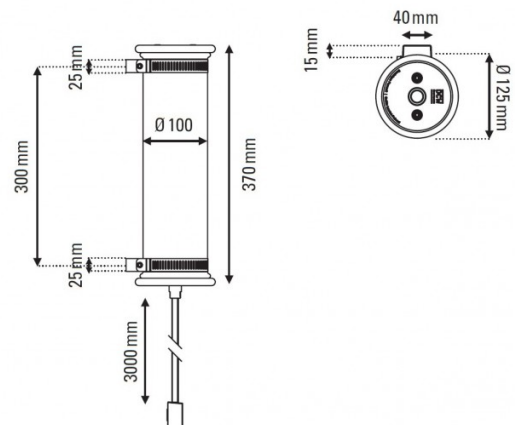
## PRODUCT SPECIFICATION

**Light Source:** 2 x max 6W LED E14 (excluded)

**IP Code:** 64

**Dimming:** Dimmable via mains phase dimming

**Dimensions:** Ø10cm tube  
37cm length  
14cm depth  
Ø12.5cm stopper





**For all sales and technical enquiries, please contact:**

+44 (0)114 263 4266

[info@davidvillagelighting.co.uk](mailto:info@davidvillagelighting.co.uk)

[www.davidvillagelighting.co.uk](http://www.davidvillagelighting.co.uk)