

DCW éditions Biny LED Spot

LA5349

SOURCE: <https://www.davidvillagelighting.co.uk/product/DCW-ditions-Biny-LED-Spot/18877>



PRODUCT DESCRIPTION

Designer: Jacques Biny

Biny LED Spot Light by DCW éditions

A reissue of an original design by Jacques Biny, the Biny LED spot is a classic and adaptable light solution. Designing in the 20th century, Jacques Biny founded his extremely successful lighting manufacturing workshop Luminalite in 1955, which put functionality at the forefront of design. A thoroughly contemporary designer, Biny strove to innovate and make rational lights that could serve purpose and provide effective lighting.

The Biny LED spot light is no exception to this ethos, as it can rotate 330° with an inclination of 88°. The spot light is available in matt black/polished nickel allowing for many possibilities. The LED lamp also comes with an integrated light switch and will add an elegant touch to any interior.

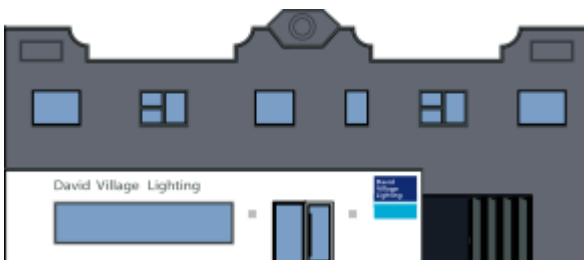
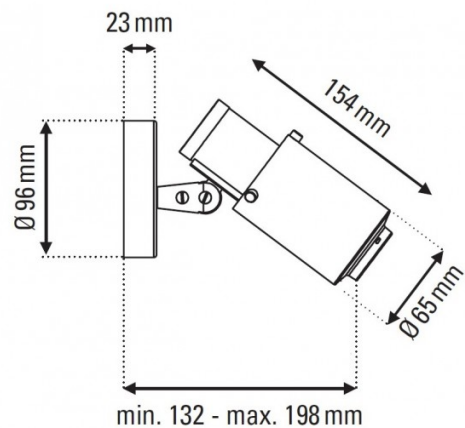
PRODUCT SPECIFICATION

Light Source: 4.5W, 2700K, 450 lumens

IP Code: 20

Dimming: Integrated on/off switch on product

Dimensions: Ø6.5cm shade
15.4cm shade height
Ø9.6cm base
13.2cm min. reach
19.8cm max. reach



For all sales and technical enquiries, please contact:

+44 (0)114 263 4266

info@davidvillagelighting.co.uk

www.davidvillagelighting.co.uk