

case

Case Solid Cylinder Suspension

LA5338/CS

SOURCE: <https://www.davidvillagelighting.co.uk/product/Case-Solid-Cylinder-Suspension/18849>



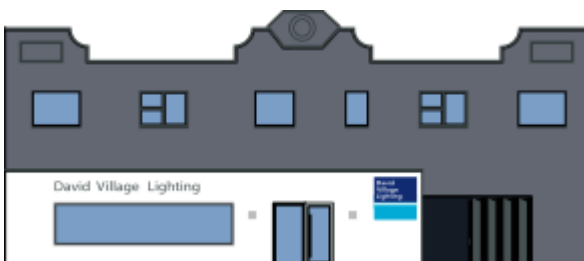
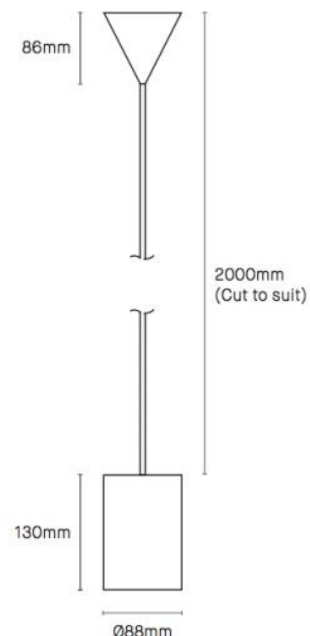
PRODUCT DESCRIPTION

Case Solid Cylinder Suspension.

A pure cylindrical form, crafted from European oak, lacquered matt. The rounded inner edge of the shade base is a design signature of the Solid collection. A patented adjustable shade support allows the shade to be hung vertical and straight. As oak is a natural material the grain will vary from piece to piece, making each shade body unique.

PRODUCT SPECIFICATION

- Light Source:** 1x 8W GU10 LED excluded
- IP Code:** 20
- Dimming:** Dimmable via mains phase dimming
- Dimensions:** Ø 88mm.
H 130mm.
2 metre matt white cable supplied (Ø 4.5mm, 2 x 0.82)



For all sales and technical enquiries, please contact:

+44 (0)114 263 4266

info@davidvillagelighting.co.uk

www.davidvillagelighting.co.uk