

kdl*n*

KDLN Yuma Suspension

LA5280

SOURCE: <https://www.davidvillagelighting.co.uk/product/KDLN-Yuma-Suspension/18709>



PRODUCT DESCRIPTION

Designer: David Pompa

KDLN Yuma Suspension Light

We currently have limited stock of one of these items in our [Clearance section](#).

The Yuma pendant was inspired by the Yuma desert that stretches between the USA and northern Mexico. The designer of this pendant, David Pompa, brings this desert to life in the KDLN Yuma suspension that uses spun-metal to form a uniquely textured and interesting appearance. This choice of material and method of production is the reason for its comparison with the stunning desert environment. Pompa, the designer, is known for using raw natural materials with a history of skilled and passionate craftsmanship. This is the case also with the spun-metal shade, as Pompa describes his use of brass as 'a material which reflects honesty through its warm tones, both modest and elegant'.

Ideal for above a dining table or countertop, this suspension lamp uses brushed glass and brass to elevate and reflect the surroundings.

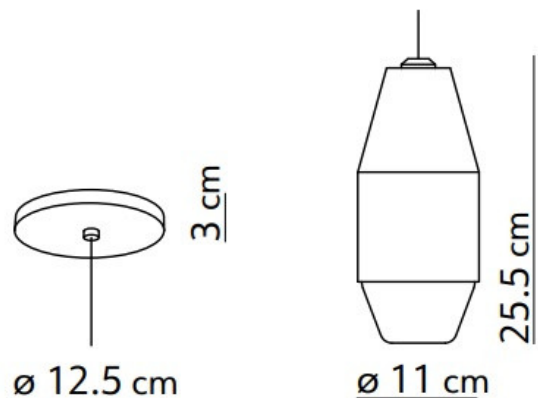
PRODUCT SPECIFICATION

Light Source: 1 x Max 20W E27 (excluded)

IP Code: 20

Dimming: Dimmable via mains phase dimming.

Dimensions: Ø11cm
Height: 25.5cm
Ceiling Canopy: Ø12.5cm
Cable Length: 180cm





For all sales and technical enquiries, please contact:

+44 (0)114 263 4266

info@davidvillagelighting.co.uk

www.davidvillagelighting.co.uk