



# Slamp Aria Black Fade LED Suspension

LA5099

SOURCE: <https://www.davidvillagelighting.co.uk/product/Slamp-Aria-Black-Fade-LED-Suspension/18487>



## PRODUCT DESCRIPTION

Designer: Zaha Hadid

### Slamp Aria XL Black LED Suspension

Designed by Zaha Hadid, the Aria XL Black Fade Suspension is fluid and dynamic. This beautiful and lavish lighting design consists of 50 layers of patented Cristalflex panels coated in a black finish, suspended from a round canopy by three cables. These panels are arranged around an LED light source and each is completely unique and different from the next. The dramatic design emits modern luxury and makes a perfect statement piece in contemporary environments, both residential and commercial, creating a lavish ambience. This decorative light is designed to offer diffused light as well as a bold design to any interior space.

The Aria Black Fade Suspension is a dramatic modern day chandelier that is perfect for use in hallways, bedrooms, dining areas and hotel lobbies. Hadid's design is also available in [two other finishes and a range of sizes](#), making it easy to fit with a multitude of décor options.

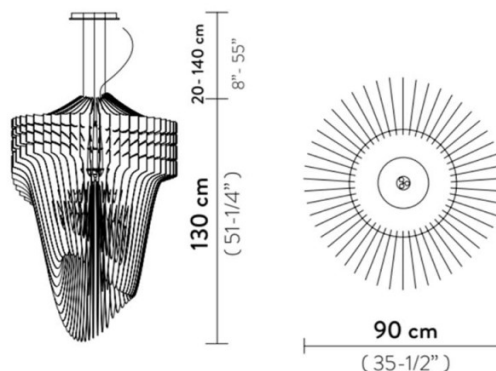
## PRODUCT SPECIFICATION

**Light Source:** 35W, 2700K, 3500 Lumens

**IP Code:** 20

**Dimming:** Dimmable via Triac dimming.

**Dimensions:** Ø90cm  
Height: 130cm  
Maximum cable length: 140cm





**For all sales and technical enquiries, please contact:**

+44 (0)114 263 4266

[info@davidvillagelighting.co.uk](mailto:info@davidvillagelighting.co.uk)

[www.davidvillagelighting.co.uk](http://www.davidvillagelighting.co.uk)