

LEE BROOM

Lee Broom Chamber Small Pendant

LA5038

SOURCE: <https://www.davidvillagelighting.co.uk/product/Lee-Broom-Chamber-Small-Pendant/18384>



PRODUCT DESCRIPTION

Designer: Lee Broom

Lee Broom Chamber Small Pendant

The Lee Broom Chamber Pendant boasts a sculptural structure, housing a Carrara marble diffuser encapsulated within a crystal enclosure. Chamber is the definition of contemporary elegance. The Small Chamber Pendant provides a decorative and functional lighting solution for various spaces, the marble also acts as a diffuser which results in a glare-free downlight that provides a warm and inviting ambience. The illumination highlights the unique patterns in the marble, creating a centrepiece guaranteed to be an eye-catcher.

Chamber can be displayed individually or hung in clusters to create a small installation in larger environments, it also features an adjustable cable meaning that it can be easily personalised to your environment. Although the Lee Broom Chamber Pendant can adapt to a wide range of beautiful contemporary interiors, this light looks most striking when displayed in kitchens, over dining tables and over your bedside tables in your bedroom. chamber can also be utilised in commercial settings, especially in the hospitality and retail sectors.

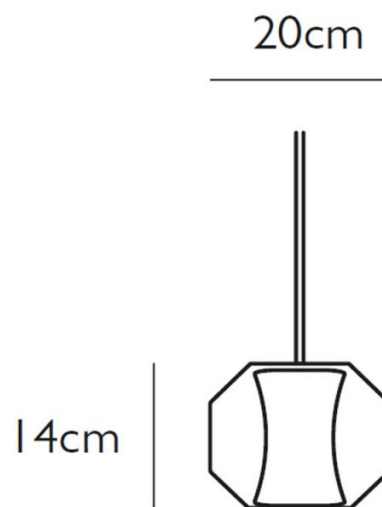
PRODUCT SPECIFICATION

Light Source: 1 x Max 25W E27 (included)

IP Code: 20

Dimming: Dimmable via mains phase dimming.

Dimensions: Height: 14cm
Cable Length: 300cm
Ceiling Rose: 12cm





For all sales and technical enquiries, please contact:

+44 (0)114 263 4266

info@davidvillagelighting.co.uk

www.davidvillagelighting.co.uk