

LEE BROOM

# Lee Broom Carousel LED Suspension

LA5031

SOURCE: <https://www.davidvillagelighting.co.uk/product/Lee-Broom-Carousel-LED-Suspension/18377>



## PRODUCT DESCRIPTION

Designer: Lee Broom

### Lee Broom Carousel LED Suspension

Designed by Lee Broom and inspired by a traditional British fairground ride, Carousel is suspended in the air appearing to float above you. Carousel consists of 30 metal cylinders, which encompass an LED light source creating a ring of light which projects a functional but glare-free illumination onto the area below. It is suspended from a polished gunmetal ceiling plate by steel tensile wires with a single clear cable.

This suspension becomes a focal point in whichever room you display it in and is a beautiful addition to contemporary dining spaces, both residential and commercial. Lee Broom Carousel can also make a statement in modern kitchens, entryways, over shop counters and above hotel reception desks.

**The Lee Broom carousel is available in Black, Chrome, Gold or Gunmetal.**

**An XL version with a 120cm diameter is also available, please [contact us](#) for more details and prices.**

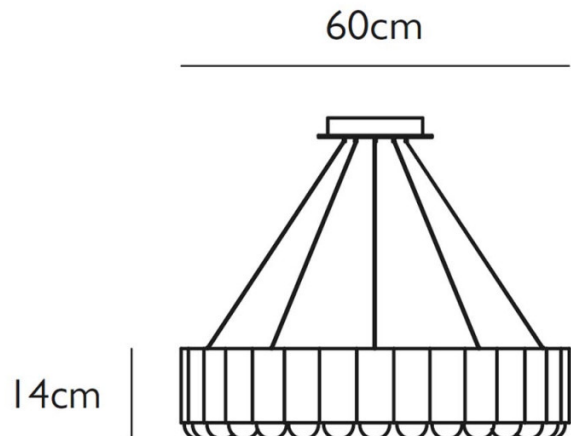
## PRODUCT SPECIFICATION

**Light Source:** 30 x 1.2W, 2700K, 60 Lumens

**IP Code:** 20

**Dimming:** Dimmable via mains phase dimming.

**Dimensions:** Shade: Ø60cm  
Shade Height: 14cm  
Min Drop Height: 55cm  
Max Drop Height: 280cm  
Ceiling Rose: Ø25cm





**For all sales and technical enquiries, please contact:**

+44 (0)114 263 4266

[info@davidvillagelighting.co.uk](mailto:info@davidvillagelighting.co.uk)

[www.davidvillagelighting.co.uk](http://www.davidvillagelighting.co.uk)