

FOSCARINI

Foscarini Filo Table Lamp

LA4935

SOURCE: <https://www.davidvillagelighting.co.uk/product/Foscarini-Filo-Table-Lamp/18240>

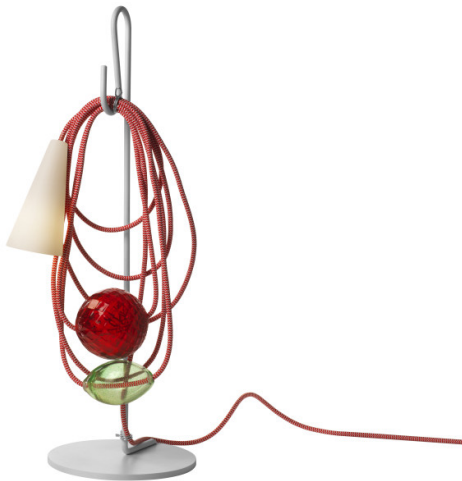
PRODUCT DESCRIPTION

Designer: Andrea Anastasio

Foscarini Filo Table Lamp

The Filo Table Lamp is the winner of the Milan, Salone de Mobile award for best Euroluce product designed by Andrea Anastasio. The aesthetic was inspired by the designer's desire to display all the components of light with decoration, the cable and light source beautifully working together to produce a stunning design. Anastasio sums up the silhouette of the table lamp: "To wrap, to string pearls, to hang. Filo sheds light on these humble, ancient gestures with which we adorn our everyday world, inventing the future..."

The light source is diffused by a porcelain shade, which also produces a downward-directed light. The two decorative shapes are made from hand-blown glass and the cable is covered in various coloured fabrics. The spherical and delicate shapes and variety of colours make the Filo table light a unique and artistic piece. Suitable for a wide variety of settings, this table light is perfect for producing a warm light whilst stylishly embellishing the room. Match with other lights from the [Foscarini Filo collection](#).



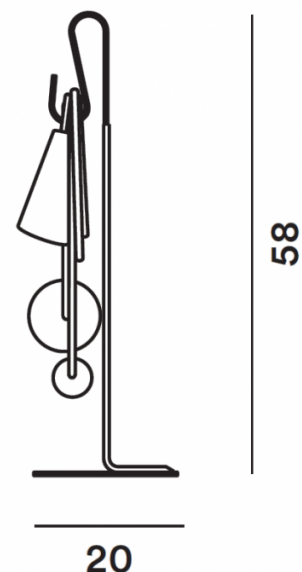
PRODUCT SPECIFICATION

Light Source: 1 x Max 4W G9 LED (included by Foscarini)

IP Code: 20

Dimming: In-line on/off switch included on cable.

Dimensions: Height: 58.5cm
Base: Ø20cm
Cable Length: 60cm





For all sales and technical enquiries, please contact:

+44 (0)114 263 4266

info@davidvillagelighting.co.uk

www.davidvillagelighting.co.uk