

BROKIS®

Brokis Mona LED Wall Light

LA4832

SOURCE: <https://www.davidvillagelighting.co.uk/product/Brokis-Mona-LED-Wall-Light/18027>

PRODUCT DESCRIPTION

Designer: Lucie Koldova

Brokis Mona LED Wall Light

The Brokis Mona LED Wall Light adds a touch of luxury to your space and, thanks to the range of finishes and sizes, can adapt to a wide scope of contemporary interiors. Designed by Lucie Koldova, the Mona Wall Light is distinguished by the manufacturing process and the contrast of materials. The smooth shade is expertly crafted from hand-blown glass which is combined with the sleek metal detailing of the wall mount.

The Brokis Mona Wall Light holds an LED tube, which is fitted in the shade, this provides a warm and comfortable illumination, perfect for use in bedrooms, living rooms, hallways or dining rooms. This wall light can also be a beautiful addition to commercial spaces, specifically in the hospitality and retail sectors.

The Brokis Mona LED Wall Light is available in the following options:

Transparent glass: Transparent glass, Smoke Grey, Opaline, Black or Violet

Lamp body: Black or White

Alternative colour temperatures available, please [contact us](#) for more information and pricing.

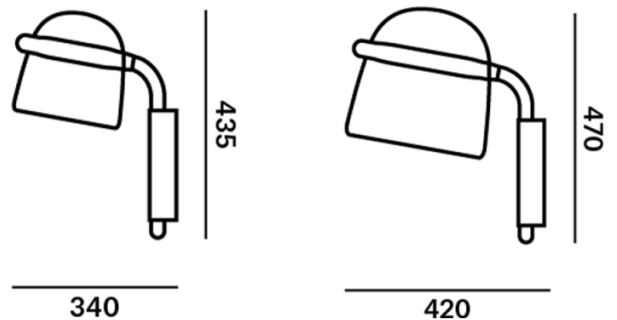


PRODUCT SPECIFICATION

- Light Source:** 4.5W, 2700K, 266 Lumens
- IP Code:** 20
- Dimming:** Integrated dimmer on the product.
- Dimensions: Small:**
 - Depth: 34cm
 - Height: 43.5cm
- Medium:**
 - Depth: 42cm
 - Height: 47cm

Small:

Medium:





For all sales and technical enquiries, please contact:

+44 (0)114 263 4266

info@davidvillagelighting.co.uk

www.davidvillagelighting.co.uk