

BROKIS®

Brokis Mona LED Table Lamp

LA4831

SOURCE: <https://www.davidvillagelighting.co.uk/product/Brokis-Mona-LED-Table-Lamp/18026>

PRODUCT DESCRIPTION

Designer: Lucie Koldova**Brokis Mona LED Table Lamp**

The Brokis Mona LED Table Lamp is a sleek lighting solution which is based on the concept of penetrating forms. The curved shade is crafted from hand-blown glass with an integrated LED tube within, this table lamp is known for its unconventional construction and refined combination of materials. The fitted LED light source emits a warm glow that is projected both downwards and through the shade onto the surrounding area, the result is a peaceful ambience that is perfect for use in bedrooms, living rooms and reading nooks.

The Mona Table Lamp is available in a wide range of finishes, allowing you to choose your glass colour, body colour and even cable colour. For this reason, Mona grants you full control and allows you to select a lighting solution that is perfect for you and your space. Brokis Mona reaches its full potential in both residential and commercial environments.

The Brokis Mona LED Table Lamp is available in the following options:

Transparent Glass: Transparent, Smoke Grey, Opaline, Black or Violet

Lamp body: Black or white

Textile cable: Black or White

Other colour temperatures are available, please [contact us](#) for more information and pricing.



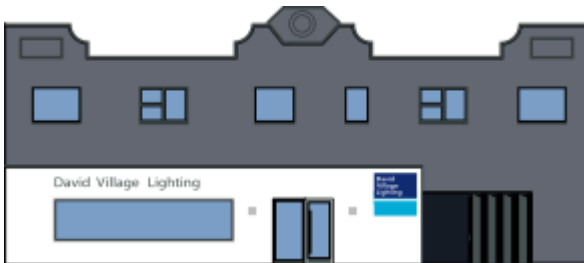
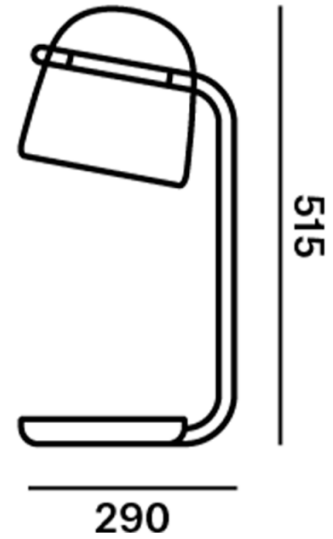
PRODUCT SPECIFICATION

Light Source: 2.5W, 2700K, 141 Lumens

IP Code: 20

Dimming: Integrated dimmer on the product.

Dimensions: Height: 51.5cm
Base: Ø29cm
Cable Length: 220cm



For all sales and technical enquiries, please contact:

+44 (0)114 263 4266

info@davidvillagelighting.co.uk

www.davidvillagelighting.co.uk