

Artemide

LA4781

## Artemide Demetra Wall with Movement Detector LED

SOURCE: <https://www.davidvillagelighting.co.uk/product/Artemide-Demetra-Wall-with-Movement-Detector-LED/17956>

### PRODUCT DESCRIPTION

Designer: Naoto Fukasawa

### Artemide Demetra Wall with Movement Detector

Naoto Fukasawa is the designer behind the highly successful Demetra lights for Artemide Lighting. The lights won various awards for their sleek and contemporary design, like the Red Dot Design Award Essen, iF Design Award Deutschland and the Design Plus, light + building Frankfurt am Main in 2004. Fukasawa abides to the 'Outline' concept, which focuses on a simple design and balancing the harmony between the object and the user.

This Demetra wall light is available with an interactive feature of a movement sensor. Like most lights in the collection, the wall light has an integrated microswitch dimmer on the head of the diffuser. Furthermore, the motion sensor will detect movement in its near surroundings and after 12 minutes of inactivity will automatically switch off. The Demetra light with motion sensor not only has an integrated LED source making it eco-friendly and highly efficient, but the motion sensor assists in energy saving.

**Please note: this product comes with a cable and plug which needs to be plugged into a nearby power socket. This product cannot be hard-wired.**

Explore the [Demetra Collection](#) and choose your own designer light for any interior, at the office, business or home. The collection includes a series of floor and table lamps, wall lights and spotlights. A light for every occasion and environment. Fukasawa expanded the family with the addition of the [Demetra Professional](#) task lights, including a floor lamp, table lamp and wall light.



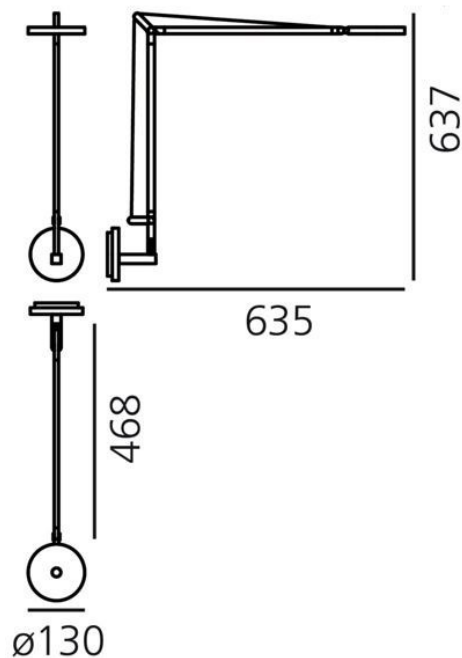
## PRODUCT SPECIFICATION

**Light Source:** 8W, 3000K, 385 lumens

**IP Code:** 20

**Dimming:** Integrated microswitch included on product.

**Dimensions:** 63.5 cm depth  
63.7 cm height  
Ø 13 cm



**For all sales and technical enquiries, please contact:**

+44 (0)114 263 4266

[info@davidvillagelighting.co.uk](mailto:info@davidvillagelighting.co.uk)

[www.davidvillagelighting.co.uk](http://www.davidvillagelighting.co.uk)