



&Tradition Copenhagen SC6 Pendant

LA4774

SOURCE: <https://www.davidvillagelighting.co.uk/product/Tradition-Copenhagen-SC6-Pendant/17929>



PRODUCT DESCRIPTION

Designer: Space Copenhagen

Copenhagen SC6 Pendant Light by &Tradition

The Copenhagen SC6 pendant is the result of Space Copenhagen's desire to create contrasts in their designs. Pairing industrial, modern materials with traditional and classic lines, they have created a pendant with a gorgeous curved lampshade and a contemporary metal fitting. The lampshade is made with either matt lacquered metal, spun into shape from one sheet or with mouth-blown opal glass, diffusing light nicely with a downward directed glow.

The fitting is made from bronzed brass, contrasting wonderfully with the delicate shade, making the Copenhagen SC6 pendant light a chic and elegant choice for your room. This pendant light works well over tables in the dining room, kitchen or lounge area. Mix and match colours to create an intriguing feature or cluster together with other sized pendants from the [&Tradition Copenhagen collection](#) to make a marvellous light display.

PRODUCT SPECIFICATION

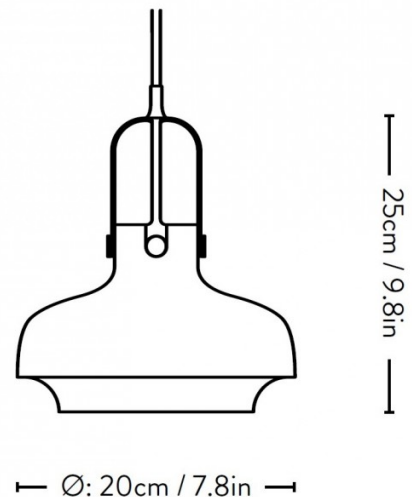
Light Source: 1 x Max 40W G9 (excluded)

IP Code: 20

Dimming: Dimmable via mains phase dimming.

Dimensions: Ø20cm
Height: 25cm

Opal Glass Finish Cable Length: 300cm
Metal Finish Cable Length: 400cm





For all sales and technical enquiries, please contact:

+44 (0)114 263 4266

info@davidvillagelighting.co.uk

www.davidvillagelighting.co.uk