



# Moooi Perch Light LED Table Lamp

LA4771

SOURCE: <https://www.davidvillagelighting.co.uk/product/Moooi-Perch-Light-LED-Table-Lamp/17926>

## PRODUCT DESCRIPTION

**Designer:** Umut Yamac

### Perch Light Table Lamp by Moooi

Captivated by the innocence and purity of a bird perching on a branch, designer and architect Umut Yamac was inspired to design the Perch Light Collection. Yamac wanted to conceal the light source, as it is someone else's creation. He played with different types of paper, before settling with an archival paper, one that will last for a long time. The polypropylene paper is folded, origami style, into a delicate bird. The details of the bird and the branch it is sitting on, is in brass painted aluminium.

The Perch lamp was meant to be an interactive light. Yamac designed a light that not only the user can interact with, switching on to bring light into any space; but also a lamp that interacts with its surroundings itself. A small breeze can set the bird in motion, rocking back and forth on the branch. The Perch Table lamp only has one small bird perching, easily recognisable and pleasant even when its resting. The paper body emits a warm and diffused glow into the room, and the lamp is ideal for both residential spaces or in hospitality.

The Perch Light Collection includes a [floor lamp](#), a [suspension light](#) and [wall lights](#). Bring a playful and captivating light into your home.



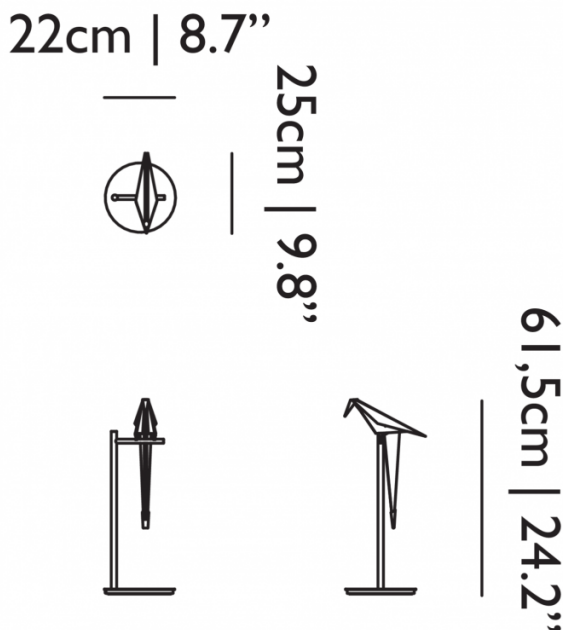
## PRODUCT SPECIFICATION

**Light Source:** 5W, 2700K, 90 Lumens

**IP Code:** 20

**Dimming:** Non-dimmable.

**Dimensions:** Height: 61.5cm  
Width: 25cm  
Depth: 22cm





**For all sales and technical enquiries, please contact:**

+44 (0)114 263 4266

[info@davidvillagelighting.co.uk](mailto:info@davidvillagelighting.co.uk)

[www.davidvillagelighting.co.uk](http://www.davidvillagelighting.co.uk)