



Terzani Doodle Suspension

LA4654

SOURCE: <https://www.davidvillagelighting.co.uk/product/Terzani-Doodle-Suspension/17676>



PRODUCT DESCRIPTION

Designer: Simone Micheli

Terzani Doodle Suspension

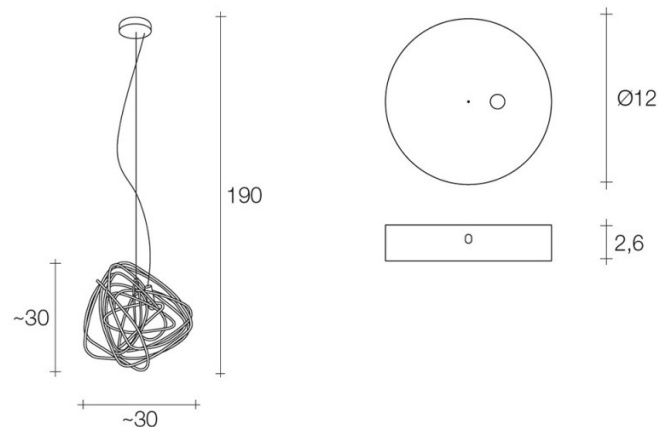
Terzani Doodle Suspension was designed by Simone Micheli and each luminaire is handcrafted and unique, ensuring no two are the same. Each Doodle pendant has been crafted by master artisans to resemble randomised paths and give control over the journey we want to take, resembling a doodle on a piece of paper. Thanks to a separate suspension cable that holds the weight of the abstract structure, the light source can be placed anywhere within the body to personalise the silhouette.

The Terzani Doodle Suspension provides great variety with four colour choices: black amethyst, nickel, copper and gold plated. The picturesque Doodle Suspension can truly make a statement in commercial or residential environments such as the hospitality sector, bars, restaurants and hotels. It can be installed individually or in clusters for larger interiors.

Please note: Due to the material, the copper version of the Terzani Doodle Suspension may patina over time.

PRODUCT SPECIFICATION

- Light Source:** 1 x Max 2W G4 LED (excluded)
- IP Code:** 20
- Dimming:** Non-Dimmable.
- Dimensions:** Structure: Ø30cm
Max Cable Drop: 190cm
Ceiling Canopy: Ø12cm x 2.6cm





For all sales and technical enquiries, please contact:

+44 (0)114 263 4266

info@davidvillagelighting.co.uk

www.davidvillagelighting.co.uk