



# Bover Dome 180 LED Pendant

LA3727/180

SOURCE: <https://www.davidvillagelighting.co.uk/product/Bover-Dome-180-LED-Pendant/17603>



## PRODUCT DESCRIPTION

**Designer:** Benedetta Tagliabue

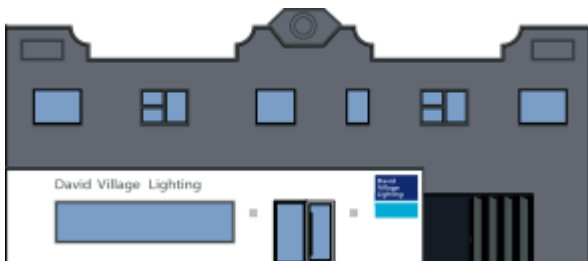
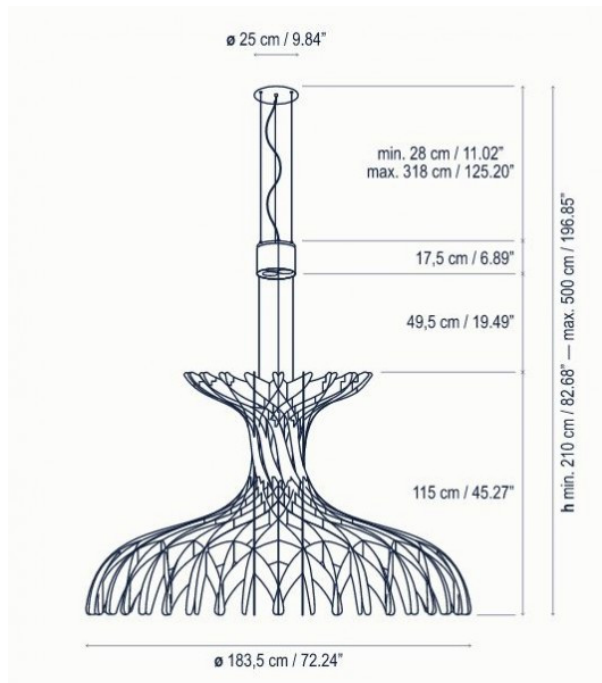
### Bover Dome 180 LED Pendant

The integration of design, art and light dates back a long time ago, and it is perfectly encapsulated in the Bover Dome 180 LED Pendant. The Dome Pendant becomes a light sculpture which confers a bold personality in your environment.

With Dome 180 by Bover, the LED light source is placed outside of the object, with the illumination shining through the wooden frame and creating magnificent shadows of light, which reflect against your walls and the floor below. The Dome 180 LED Pendant is completely handmade and produced in Barcelona at the Bover headquarters. More than 170 big and small wood fragments are wisely intertwined and sewed one by one to end up in such a jigsaw puzzle.

## PRODUCT SPECIFICATION

- Light Source:** 75W, 2700K, 8250 Lumens
- IP Code:** 20
- Dimming:** Dimmable using leading edge and trailing edge (Triac).
- Dimensions:** Shade: Ø183.5cm  
Shade Height: 115cm  
Maximum Drop: 500cm



**For all sales and technical enquiries, please contact:**

+44 (0)114 263 4266

info@davidvillagelighting.co.uk

www.davidvillagelighting.co.uk