

Collection LIMBURG

Limburg Studio Line 50999.2 Pendant Aluminium LED

LA4511

SOURCE: <https://www.davidvillagelighting.co.uk/product/Limburg-Studio-Line-509992-Pendant-Aluminium-LED/17456>



PRODUCT DESCRIPTION

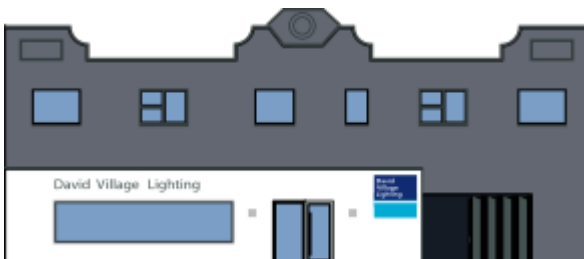
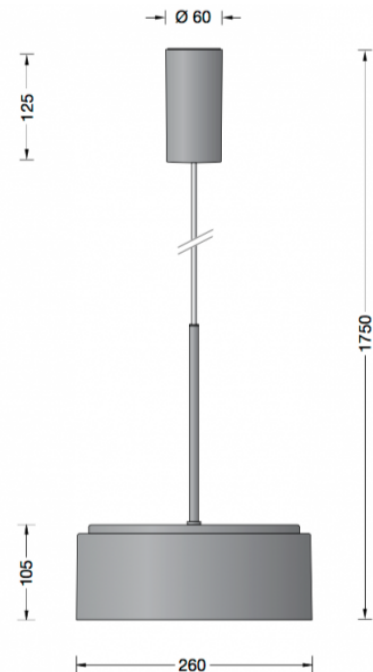
Limburg 50246.2 Studio Line LED pendant in a matt aluminium finish. Hand-blown opal glass and metal housing for non-glare light directed downwards. The used LED technique offers durability and optimal light output with low power consumption at the same time.

Also available in DALI controllable - please contact us for more details.

PRODUCT SPECIFICATION

Light Source: 15.5W, 3000K, 1092 Lumens

Dimming: Non-dimmable.



For all sales and technical enquiries, please contact:

+44 (0)114 263 4266

info@davidvillagelighting.co.uk

www.davidvillagelighting.co.uk