

Resident

Resident Oud LED Table Lamp

LA4469

SOURCE: <https://www.davidvillagelighting.co.uk/product/Resident-Oud-LED-Table-Lamp/17408>

PRODUCT DESCRIPTION

Designer: Cheshire Architects

Resident Oud LED Table Lamp

Resident Oud LED Desk Lamp by Cheshire Architects is a slimline task light with a delicate polished marble ball which is perched on the bottom stand. The structure of this table lamp is made up of one single bar which conceals the LED light source. The downward directed light emits a warm glow which can be turned on by a quarter rotation of the marble ball.

This Oud LED table lamp is available in a black frame with a cream onyx marble ball and a brass frame with a rossa marble ball. The lamps were designed and created in Auckland, New Zealand in 2012.



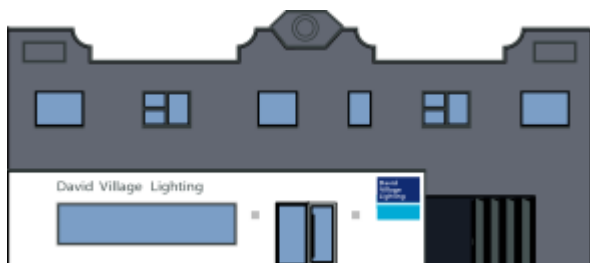
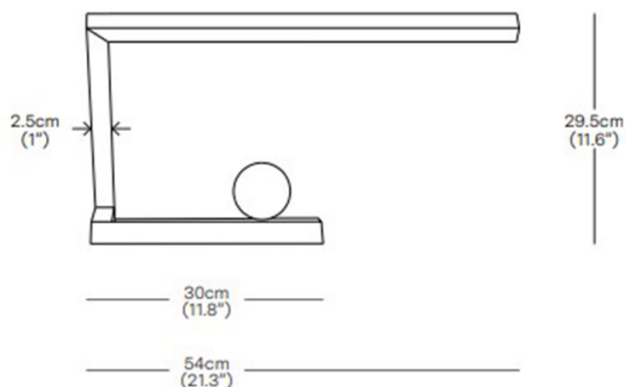
PRODUCT SPECIFICATION

Light Source: 5W, 2800K, 280 Lumens

IP Code: 20

Dimming: In line on/off switch on product

Dimensions: Length: 54cm
Height: 29.5cm
Stand: 30cm
Depth: 2.5cm



For all sales and technical enquiries, please contact:

+44 (0)114 263 4266

info@davidvillagelighting.co.uk

www.davidvillagelighting.co.uk