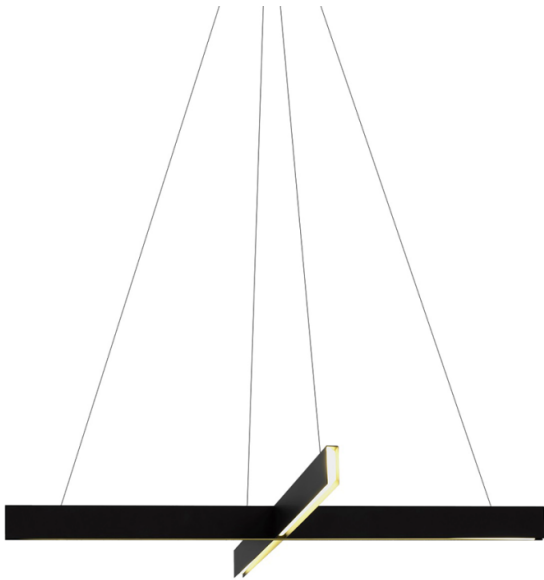


Resident

Resident Cross LED Pendant

LA4468

SOURCE: <https://www.davidvillagelighting.co.uk/product/Resident-Cross-LED-Pendant/17405>



PRODUCT DESCRIPTION

Designer: Resident Studio

Resident Cross Pendant LED Light

Resident Cross LED Pendant is handmade in Auckland, New Zealand at the Resident studio. The pendant was first designed in 2013. The Cross Pendant is a member of the geometric family and brings beauty to mathematical accuracy and practical lighting to both commercial settings and the home. The diffused frosted LED pendant is suspended from by discreet slimline wires.

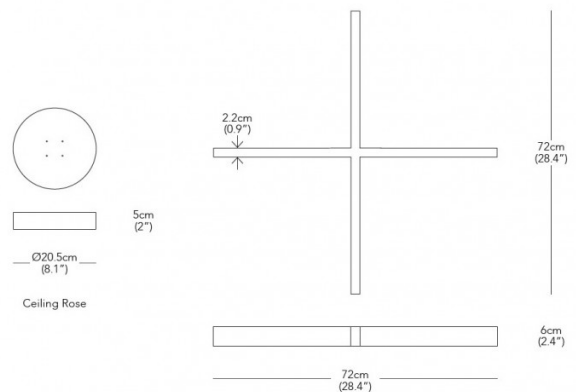
Cross works well on its own, displayed in multiples or with other members of the geometric lighting family. Please [contact us](#) for further information on the dimmable option.

PRODUCT SPECIFICATION

Light Source: 45W, 2700K, 2755 Lumens

Dimming: Non-dimmable

Dimensions: Length: 72cm
 Width: 72cm
 Height: 6cm
 Ceiling Canopy: Ø 20.5cm



For all sales and technical enquiries, please contact:

+44 (0)114 263 4266

info@davidvillagelighting.co.uk

www.davidvillagelighting.co.uk