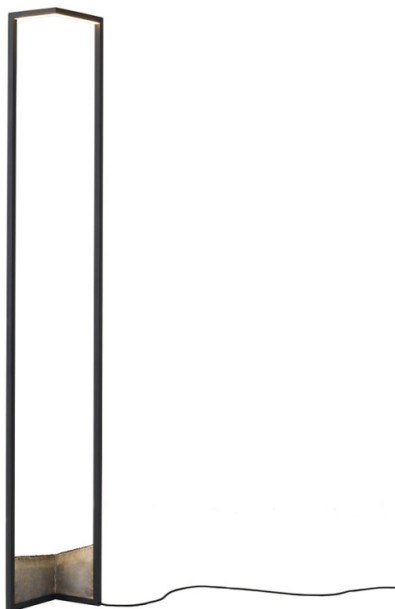


Resident

Resident Foundry LED Floor Lamp

LA4464

SOURCE: <https://www.davidvillagelighting.co.uk/product/Resident-Foundry-LED-Floor-Lamp/17401>



PRODUCT DESCRIPTION

Designer: Cheshire Architects

Resident Foundry LED Floor Lamp

The Resident Foundry LED Floor Light is a graceful blend of form and function, standing tall at 1.9 metres. Designed and handmade in Auckland, New Zealand, this floor lamp is defined by its seamless aluminium structure, which outlines a striking rectangular shape in space. The integrated LED light source casts a warm glow, elegantly diffused through frosted acrylic, providing ambient illumination for any room.

The Foundry's stability is achieved through a partially polished, solid bronze counterweight, which cantilevers its height while adding a touch of contrast and texture. Ideal for compact spaces, this versatile floor light enhances both residential and commercial environments, offering a modern yet timeless aesthetic.

PRODUCT SPECIFICATION

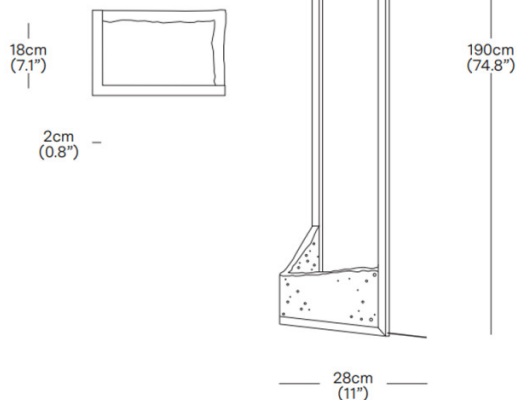
Light Source: 10W, 2800K, 668 Lumens

IP Code: 20

Dimming: In-line on/off switch included on cable.

Dimensions: Height: 190cm
Width: 28cm
Depth: 18cm

Cable Length: 250cm



For all sales and technical enquiries, please contact:

+44 (0)114 263 4266

info@davidvillagelighting.co.uk

www.davidvillagelighting.co.uk