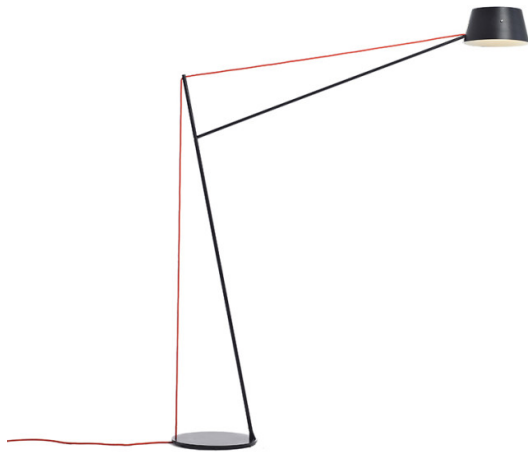


Resident

# Resident Spar Floor Lamp

LA4458

SOURCE: <https://www.davidvillagelighting.co.uk/product/Resident-Spar-Floor-Lamp/17394>



## PRODUCT DESCRIPTION

**Designer:** Jamie McLellan

### Resident Spar Floor Lamp

The Spar Floor Lamp by Resident is a bold and iconic lighting solution designed by Jamie McLellan in 2011. Taking inspiration from the mast arrangements of traditional sailboats, the lamp features a minimalist, two-dimensional frame stabilised by tensioned electrical cables. A spun aluminium shade rotates a full 360 degrees, allowing the user to direct light precisely where needed.

Crafted in a sleek black structural frame, the Spar Floor Lamp offers a choice of two cable colours, red or black, adding a striking visual element to its clean and modern aesthetic. This lamp is not only functional but also serves as a design statement, making it ideal for offices, workspaces, or contemporary living spaces.

**Please note, this product is also available with a black cable on request, please [contact us](#) for further information and pricing.**

## PRODUCT SPECIFICATION

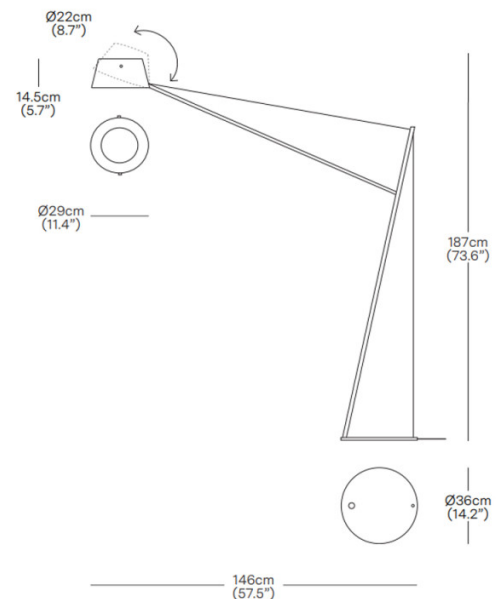
**Light Source:** 1 x Max 6W E27 LED (Included)

**IP Code:** 20

**Dimming:** In-line on/off switch included on cable.

**Dimensions:** Shade: Ø29cm  
Shade Height: 14.5cm  
Height: 187cm  
Depth: 146cm  
Base: Ø36cm

Cable Length: 155cm





**For all sales and technical enquiries, please contact:**

+44 (0)114 263 4266

[info@davidvillagelighting.co.uk](mailto:info@davidvillagelighting.co.uk)

[www.davidvillagelighting.co.uk](http://www.davidvillagelighting.co.uk)