

Fabbian

Fabbian Polair LED Pendant

LA4388

SOURCE: <https://www.davidvillagelighting.co.uk/product/Fabbian-Polair-LED-Pendant/17285>



PRODUCT DESCRIPTION

Designer: Flynn Talbot

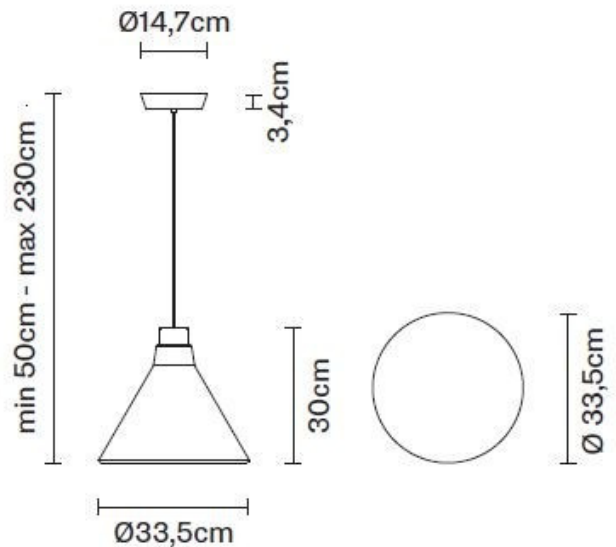
Fabbian Polair LED Pendant

The Fabbian Polair Pendant is a sleek contemporary lighting solution designed by Marc Sadler, it consists of a conical Pyrex glass shade and a black aluminium structure. The glass is sandblasted at the bottom and is designed to give a physical presence to invisible rays of light, creating a very soft and delicate downlight which is excellent for use above kitchen islands and dining tables. Due to its IP40 rating, the Fabbian Polair can also be utilised in bathrooms, a beautiful addition to your sink area for a refreshing way to start your day.

The Polair LED Pendant captures the magic of light and offers a sleek modern touch to your interior, it can be displayed individually or in linear rows or clusters for larger spaces. It can also be supplied with a multi-canopy to create larger installations, please contact us for more information and pricing.

PRODUCT SPECIFICATION

- Light Source:** 10W, 3000K, 920 Lumens
- IP Code:** 40
- Dimming:** Push to make/switch dimming, dimmable using push to make switches. Please consult your electrician, additional wiring may be required.
- Dimensions:** Shade: Ø33.5cm
Shade Height: 30cm
Minimum Drop Height: 15cm
Maximum Drop Height: 200cm
Ceiling Canopy: Ø14.7cm



For all sales and technical enquiries, please contact:

+44 (0)114 263 4266

info@davidvillagelighting.co.uk

www.davidvillagelighting.co.uk